

零件手册

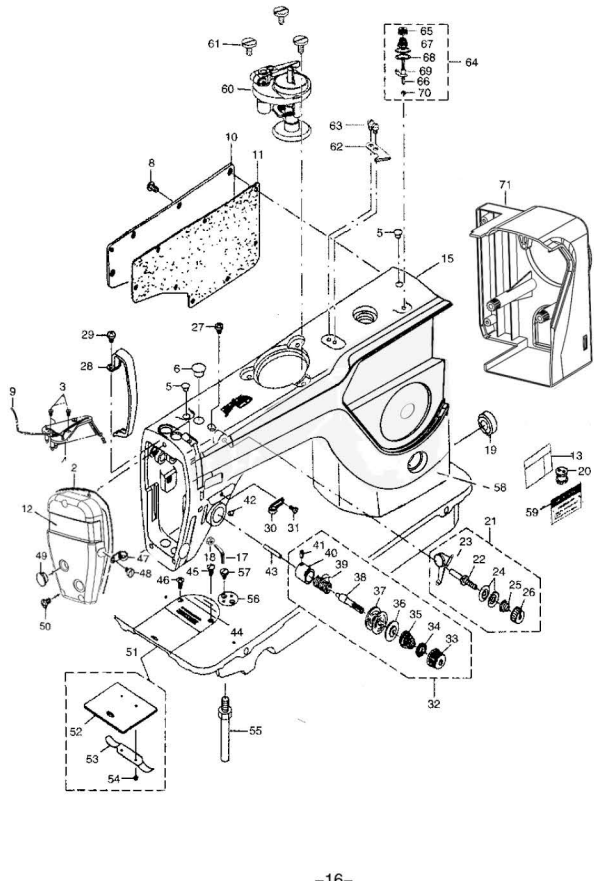
PARTS BOOK

选购零件时, 请注明序号、件号。

Please confirm the relative applications Ref. No, part No. when buying the parts.

1. 机壳·外装部件

MACHINE FRAME&MISCELLANEOUS COVER COMPONENTS



-15-

-16-

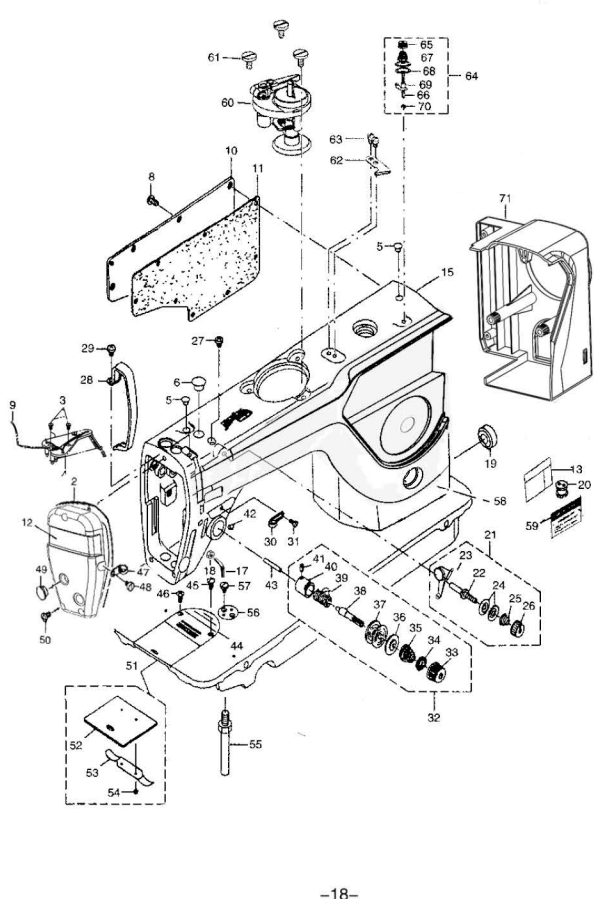
1. 机壳·外装部件

序号 Ref. NO.	件号 Part NO.	名称	Description	数量 Qty.	备注 Note
1	101.01-P	面框	Face plate	1	
2	102.01-62-P	面框垫	Face plate gasket	1	
3	02-4084421-1	油线板	Screw 9/64x0	2	
4	102.01-64	油线板	Oil board	1	
5	102.01-65	橡胶塞	Rubber plug	3	
6	102.01-66	针杆自锁孔塞	Thrust pin lock board	1	
7	102.01-67	后盖板	Back cover	1	
8	02-41228922-1	后盖板螺钉	Screw 3/16x2 L-9	11	
9	102.01-69	油线	The oil line	1	
10	102.01-10	后盖板	Side plate	1	
11	102.01-11	后盖板	Gasket	1	
12	102.01-12	面框垫片	Face plate	1	
13	102.01-13	安全罩	Safety sheet	1	
14	02-41228142-1	后盖板螺钉	Screw 3/16x2 L-14	3	
15	102.01-15-P	机壳盖	Machine cover	1	
16	102.01-15	机壳盖螺钉	Screw 3/16x2 L-14	1	
17	101.01-65	慢速线	Slow wire hook	1	
18	101.01-66	慢速线螺母	Tension nut 11/64x10	1	
19	102.01-19	橡胶圈	Rubber plug	1	
20	102.01-20	导线过线套	Magnet cord rubber	1	
21	101.01-21	张力线	Thread tension arm	1	
22	101.01-22	张力线螺母	Thread tension nut	1	
23	101.01-23	张力线垫圈	Thread tension disk	2	
24	101.01-24	小夹板	Thread tension spring	1	
25	101.01-25	小夹板螺母	Thread tension nut	1	
26	101.01-26	小夹板垫圈	Thread tension disk	2	
27	02-41228623-1	小夹板螺母螺钉	Screw 3/16x2 L-6	1	
28	102.01-28	机壳盖螺母	Thread take-up lever cover	1	
29	02-41228623-1	机壳盖螺母螺钉	Screw 3/16x2 L-6	1	
30	102.01-30	右托架	Arm thread guide Right	1	
31	02-4140021-1	右托架螺钉	Screw 1/8x40 L-6	1	
32	101.01-32	电子线张力器	Electron Thread tension arm	1	
33	101.01-33	电子线张力器螺母	Electron Thread tension nut	1	
34	101.01-34	旋转止挡	Rotating stopper	1	
35	101.01-35	张力线	Tension spring	1	
36	101.01-36	张力线螺母	Thread tension disk presser	1	
37	101.01-37	张力线垫圈	Thread tension disk	2	
38	101.01-38	张力线	Tension post	1	
39	102.01-39	取力器	Take-up spring	1	
40	101.01-40	张力线调节器	Tension pot socket	1	
41	02-4094021-1	张力线调节器螺钉	Screw 9/64x0 L-5	1	
42	02-4152071-1	张力线调节器螺母	Screw 1/8x28 L-7	1	
43	101.01-43	松线板	Tension releasing	1	
44	101.01-44	衬板	Throat plate	1	
45	101.01-44-1	衬板	Throat plate	1	

-17-

1. 机壳·外装部件

MACHINE FRAME&MISCELLANEOUS COVER COMPONENTS



-18-

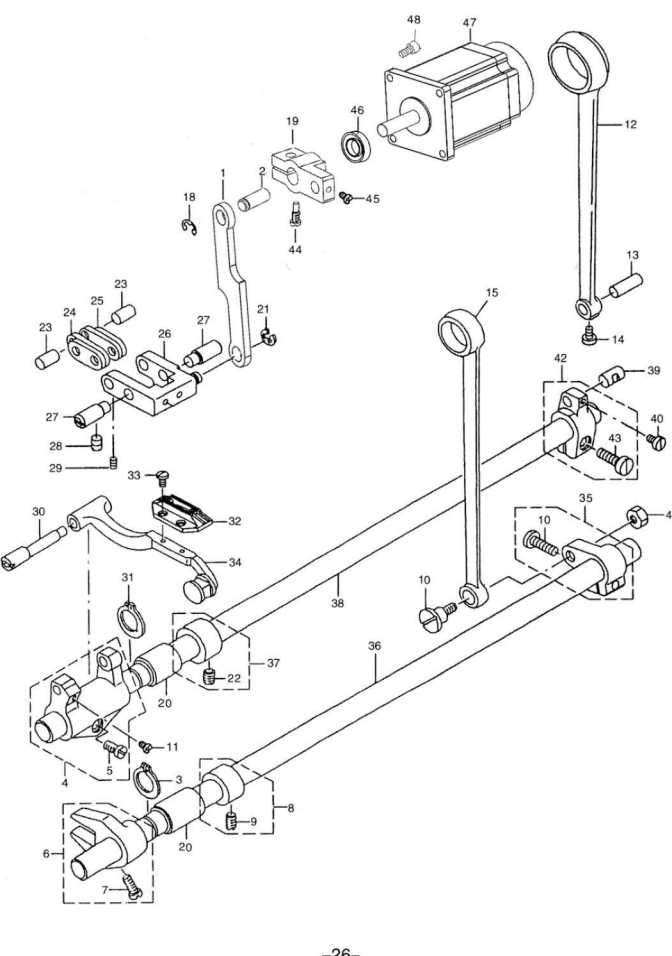
4. 压杆部件

序号 Ref. NO.	件号 Part NO.	名称	Description	数量 Qty.	备注 Note
1	101.04-01	压杆	Hand lifter	1	
2	02-4094023-1	压杆螺钉	Screw 9/64x0 L-10	1	
3	101.04-03	压杆手轴	Rubber ring	1	
4	102.04-04	压杆手轴衬套	Hand lifter cam arm	1	
5	102.04-05	压杆手轴衬套	Presser bar bushing lower	1	
6	02-4094023-1	压杆螺钉	Screw 9/64x0 L-8	1	
7	102.04-07	连杆	Link shaft	2	
8	101.04-08	压杆手轴	E-ring 5	2	
9	101.04-09	压杆手轴	Presser foot arm	1	
10	102.04-10	下压板	Wire holder bracket, lower	1	
11	102.04-11	压杆手轴衬套	Hinge screw	1	
12	102.04-12	压杆手轴衬套	Hinge screw	1	
13	102.04-13	压杆手轴衬套	Knee lifter connecting rod	1	
14	102.04-14	压杆手轴衬套	Lifting lever link	1	
15	02-4140021-1	下压板螺钉	Screw 1/8x28 L-14	1	
16	02-4140021-1	下压板螺钉	Screw 1/8x28 L-5	1	
17	102.04-18	压杆手轴	Wire holder	2	
18	02-41228623-1	上压板螺钉	Screw 3/16x2 L-6	1	
19	102.04-20	上压板	Wire holder bracket, upper	1	
20	102.04-21	压杆手轴	Nut 3/16x2	1	
21	102.04-22	压杆手轴	E-ring 5	2	
22	101.04-23	松线板	Thread tension release wire	1	
23	102.04-25	松线板	Wire cable holder	1	
24	102.04-26	松线板	Tension release supporting pin	1	
25	02-41228623-1	右托架螺钉	Screw 3/16x2 L-6	1	
26	102.04-28	松线板	Thread tension release wire	1	
27	102.04-29	松线板	Tension release shaft	1	
28	102.04-30	松线板	Presser adjusting screw nut	1	
29	102.04-31	松线板	Presser spring regulator	1	
30	102.04-32	松线板	Presser adjusting spring	1	
31	102.04-34	松线板	Presser bar bushing upper	1	
32	102.04-35	松线板	Presser bar guide bracket	1	
33	101.04-35	压杆	Presser bar	1	
34	101.04-35	压杆	Presser bar	1	
35	02-4140081-1	压杆手轴	Screw 1/8x40 L-8	1	
36	102.04-41	压杆手轴	E-ring screw	1	
37	102.04-39	压杆手轴	Knee lifter cross rod arm	1	
38	102.04-40	压杆手轴	Hand lifter link	1	
39	102.04-41	压杆手轴	E-ring screw	1	
40	102.04-42	压杆手轴	Lifting lever	1	
41	102.04-43	压杆手轴	Knee lifter cross rod	1	
42	102.04-43	压杆手轴	E-ring 5	2	
43	102.04-44	压杆手轴	Knee lifter cross rod	1	
44	137.01-01	压杆手轴	Knee lifter connecting rod	1	
45	137.01-05	压杆手轴	Screw	1	
46	137.01-06	压杆手轴	Nut	1	

-25-

5. 送料部件

FEED MECHANISM COMPONENTS



-26-

9. 润滑油部件

序号 Ref. NO.	件号 Part NO.	名称	Description	数量 Qty.	备注 Note
1	102.01-01	油室盖	Oil tight window	1	
2	102.01-02	油室盖垫圈	Rubber ring	1	
3	102.01-03	油室盖	Main shaft oil tube	1	
4	02-41228623-1	油室盖螺钉	Screw 3/16x2 L-6	1	
5	102.01-05	油室盖	Oil tight presser	1	
6	102.01-06	油室盖	Oil room take arm	1	
7	102.01-07	油室盖	Holder	1	
8	101.01-08	油室盖	Oil tank	1	
9	102.01-09	油室盖	Oil adjusting screw	1	
10	102.01-10	油室盖	Spring	1	
11	102.01-11	油室盖	Oil tube	1	
12	101.01-12	油室盖	Lubricating oil pump arm	1	
13	101.01-13	油室盖	Oil pump mounting base	1	
14	101.01-14	油室盖	Oil pump	1	
15	101.01-15	油室盖	Oil pump roller	1	
16	101.01-16	油室盖	Screw D-3 L-10	3	
17	101.01-17	油室盖	Lubricating oil pump cover	1	
18	101.01-18	油室盖	Oil pump impeller cover	1	
19	101.01-19	油室盖	Plunger	1	
20	101.01-20	油室盖	Plunger spring	1	
21	101.01-21	油室盖	Plunger screw	1	
22	101.01-22	油室盖	Hook drive shaft oil tube	1	
23	101.01-23	油室盖	Screw M3 L-8	1	
24	02-41401021-1	油室盖螺钉	Screw 1/8x28 L-9.5	1	
25	101.01-26	油室盖	Oil pump support large	1	
26	02-4152071-1	油室盖螺母	Screw 1/8x28 L-12	1	
27	101.01-28	油室盖	Rubber ring	1	
28	102.01-29	油室盖	Roller pulley	1	
29	102.01-30	油室盖	Screw	2	

-35-

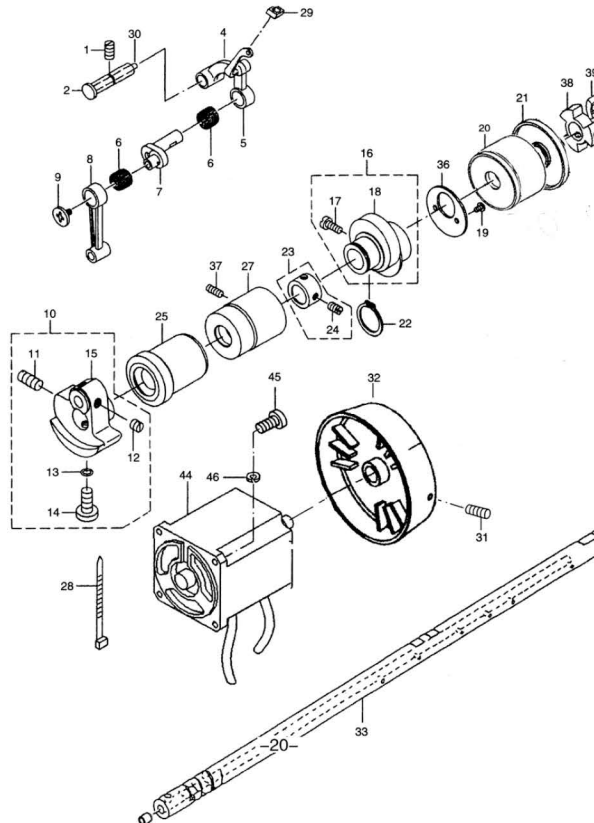
1. 机壳·外装部件

序号 Ref. NO.	件号 Part NO.	名称	Description	数量 Qty.	备注 Note
1	101.01-P	面框	Face plate	1	
2	102.01-62-P	面框垫	Face plate gasket	1	
3	02-4084421-1	油线板	Screw 9/64x0	2	
4	102.01-64	油线板	Oil board	1	
5	102.01-65	橡胶塞	Rubber plug	3	
6	102.01-66	针杆自锁孔塞	Thrust pin lock board	1	
7	102.01-67	后盖板	Back cover	1	
8	02-41228922-1	后盖板螺钉	Screw 3/16x2 L-9	11	
9	102.01-69	油线	The oil line	1	
10	102.01-10	后盖板	Side plate	1	
11	102.01-11	后盖板	Gasket	1	
12	102.01-12	面框垫片	Face plate	1	
13	102.01-13	安全罩	Safety sheet	1	
14	02-41228142-1	后盖板螺钉	Screw 3/16x2 L-14	3	
15	102.01-15-P	机壳盖	Machine cover	1	
16	102.01-15	机壳盖螺钉	Screw 3/16x2 L-14	1	
17	101.01-65	慢速线	Slow wire hook	1	
18	101.01-66	慢速线螺母	Tension nut 11/64x10	1	
19	102.01-19	橡胶圈	Rubber plug	1	
20	102.01-20	导线过线套	Magnet cord rubber	1	
21	101.01-21	张力线	Thread tension arm	1	
22	101.01-22	张力线螺母	Thread tension nut	1	
23	101.01-23	张力线垫圈	Thread tension disk	2	
24	101.01-24	小夹板	Thread tension spring	1	
25	101.01-25	小夹板螺母	Thread tension nut	1	
26	101.01-26	小夹板垫圈	Thread tension disk	2	
27	02-41228623-1	小夹板螺母螺钉	Screw 3/16x2 L-6	1	
28	102.01-28	机壳盖螺母	Thread take-up lever cover	1	
29	02-41228623-1	机壳盖螺母螺钉	Screw 3/16x2 L-6	1	
30	102.01-30	右托架	Arm thread guide Right	1	
31	02-4140021-1	右托架螺钉	Screw 1/8x40 L-6	1	
32	101.01-32	电子线张力器	Electron Thread tension arm	1	
33	101.01-33	电子线张力器螺母	Electron Thread tension nut	1	
34	101.01-34	旋转止挡	Rotating stopper	1	
35	101.01-35	张力线	Tension spring	1	
36	101.01-36	张力线螺母	Thread tension disk presser	1	
37	101.01-37	张力线垫圈	Thread tension disk	2	
38	101.01-38	张力线	Tension post	1	
39	102.01-39	取力器	Take-up spring	1	
40	101.01-40	张力线调节器	Tension pot socket	1	
41	02-4094021-1	张力线调节器螺钉	Screw 9/64x0 L-5	1	
42	02-4152071-1	张力线调节器螺母	Screw 1/8x28 L-7	1	
43	101.01-43	松线板	Tension releasing	1	
44	101.01-44	衬板	Throat plate	1	
45	101.01-44-1	衬板	Throat plate	1	

-19-

2. 上轴·换线部件

MAIN SHAFT&THREAD-UP LEVER COMPONENTS



-20-

5. 送料部件

序号 Ref. NO.	件号 Part NO.	名称	Description	数量 Qty.	备注 Note
1	137.01-01	送料调节杆	Feed adjust rod	1	
2	137.01-02	送料调节杆	Feed regulator pin	1	
3	102.05-50	送料轴衬套	Retaining ring	1	
4	102.05-51	送料轴衬套	Feed bar crank arm	1	
5	02-41228142-1	送料轴衬套	Screw 3/16x2 L-14	1	
6	102.05-52	送料轴衬套	Driving shaft crank arm	1	
7	102.05-53	送料轴衬套	Driving shaft crank arm	1	
8	02-51140121-1	送料轴衬套	Screw 1/8x40 L-16.5	1	
9	102.05-54	送料轴衬套	Thrust collar arm	1	
10	02-41228142-1	送料轴衬套	Screw 3/16x2 L-14	1	
11	02-41400721-1	送料轴衬套	Hinge screw	1	
12	102.05-52	送料轴衬套	Rocker shaft connecting rod	1	
13	102.05-53	送料轴衬套	Walking foot long pin	1	
14	02-40940424-1	送料轴衬套	Screw 9/64x0 L-4	1	
15	102.05-55	送料轴衬套	Connecting rod	1	
16	102.05-56	送料轴衬套	Feed reverse spring	1	
17	101.05-56	送料轴衬套	E-ring 5	2	
18	101.05-57	送料轴衬套	Feed reverse arm	1	
19	137.01-03	送料轴衬套	Feed reverse arm	1	
20	102.05-59	送料轴衬套	Feed rocker shaft bushing	1	
21	101.05-21	送料轴衬套	E-ring 5	2	
22	02-4140081-1	送料轴衬套	Screw 1/8x40 L-6	1	
23	102.05-23	送料轴衬套	Walking foot short pin	2	
24	102.05-24	送料轴衬套	Connecting link long pin	2	
25	102.05-25	送料轴衬套	Connecting link short pin	2	
26	102.05-26	送料轴衬套	Feed adjust link pin	1	
27	102.05-27				