



中国缝制机械协会理事单位 / 本企业已通过ISO9001管理体系认证
浙江科技企业 台州著名商标 / ISO14001环境体系认证

H1 系列 SERIES

高速电脑直驱平缝机

HIGH SPEED COMPUTERIZED DIRECT-DRIVE
LOCKSTITCH SEWING MACHINE

使用说明 · 零件手册

INSTRUCTIONS MANUAL&PARTS BOOK

重要安全事项

为使您正确使用我们的产品，须对产品的各种功能充分了解，以便安全操作，使用前请仔细阅读使用说明书。我们希望您能长期愉快地使用我们的产品，请保存好说明书，以备查阅。

- 1、使用此缝纫机时，必须遵守包括如下项目的基本安全措施。
- 2、使用此缝纫机之前，请阅读本使用说明书在内的所有指示文件。
同时应将此使用说明书妥善保管，以便能够随时查阅。
- 3、此缝纫机应与贵国的有关安全规定一起使用。
- 4、使用此缝纫机和缝纫机动作中，所有的安全装置应安装到规定的位置。
没有安装规定的安全装置的缝纫机禁止使用。
- 5、此缝纫机应由接受过培训的操作人员来操作。
- 6、使用缝纫机时，建议戴安全防护眼镜。
- 7、发生下列情况时，应立即关掉电源开关，或拔下电源线插头。
 - 7-1 机针、弯针、分离器等穿线和更换旋梭时；
 - 7-2 更换机针、压脚、针板、弯针、分离器、送布牙、护针器、支架、布导向器等时；
 - 7-3 修理时；
 - 7-4 工作场所无人了或离开工作场所时；
- 8、缝纫机以及附属装置使用的机油、润滑脂等液体流入眼睛或沾到皮肤上时，或被误饮时，应立即清洗有关部分并去医院治疗。

- 9、禁止用手触摸打开了缝纫机开关通电的零件或装置。
- 10、有关缝纫机的修理、改造、调整应由受过专门训练的技术人员或专家进行。
- 11、一般的维修保养应由受过训练的人员来进行。
- 12、有关缝纫机的电气方面的修理、维修应由有资格的电气技术人员或专家的监督和指导下进行。
- 13、修理、保养有关空气、气缸等压缩空气的零件时，应切断空气压缩机供气源后再进行；
如有残留压缩空气时，应放掉压缩空气。
但，受过相当训练的技术人员或专家进行有关调整或确认动作时除外。
- 14、缝纫机在使用其间应定期进行清扫。

- 15、为了正常安全运转，应安装地线，同时应在不受高频焊接机等强噪音源影响的环境下使用。
- 16、电源插头应用具有电气专门知识的人来安装，电源插头必须连接到接地插座上。

- 17、缝纫机指定用途以外不能使用。
- 18、对缝纫机的改造、变更应符合安全规格，并采取有效的安全措施。
另外，对于有关改造和变更，公司概不负责。

- 19、本使用说明书上采用以下2个警告符号。



有损伤操作人员、维修人员的危险。



安全上需要特别加以注意的事项。

IMPORTANT SAFETY INSTRUCTIONS

In order for you to use our products correctly, you must fully understand the various functions of the products in order to operate safely. Please read this Instruction Manual carefully before using the machine. We hope you will be able to use our products for a long time. Please take care of this manual and use it as reference when necessary.

1. When using the machine, you must observe all basic safety measures, including but not limited to the following items.
2. Read all the instructions in this manual before using the machine, including but not limited to the following items. Take care of this manual, and use it as reference whenever necessary.
3. Before running the machine, make sure all relevant safety specifications are adequate to specifications and technical standard in your country.
4. The machine should not be run without its safety devices.
5. The machine should only be operated by properly trained personnel.
6. For your safety, it is recommended to wear safety glasses while running the machine.
7. Turn off or unplug the machine when the following situations arise:
 - 7-1 Threading needle(s), looper, spreader & etc or replacing bobbin.
 - 7-2 Replacing the needle, presser foot, throat plate, looper, spreader, feed dog, needle guard, cloth guide & etc.
 - 7-3 When the machine is in maintenance.
 - 7-4 When leaving the working place or when the working place is unattended.
8. In case of lubricant oil contact with your eyes or skin, wash the surface with plenty of ice water or with generous amount of cold water. In case of ingestion, seek medical help immediately.
9. Tampering with live parts and devices, regardless of whether the machine is powered, is prohibited.
10. Repair, fitting and adjustment works should only be performed by properly trained personnel.
11. General maintenance and inspection works should only be done by properly trained personnel.
12. Maintenance and repair on electrical components should only be made by qualified personnel. If any electric device is damaged, immediately stop the machine.
13. Before making repair and maintenance on the machine equipped with pneumatic parts such as air cylinder, the air compressor has to be detached from the machine and the compressed air supply has to be expelled. Exceptions to this are only adjustments and performance checks done by properly trained personnel.
14. Clean the machine periodically.
15. Grounding the machine is always necessary for the normal operation of the machine. The machine should not be placed next to a sound source such as an ultrasonic welding machine and other equipment.
16. An appropriate power plug has to be attached to the machine by electric technicians. Power plug should be connected to a grounded socket.
17. The machine should only be used for the purpose as specified in this manual
18. Singer will not be held responsible for any damage caused by unauthorized changes in the product.

19. Warning hints are marked with the two shown symbols.



Danger of injury to operator or service staff



Items requiring special attention

安全操作事项



危险

- 1、为了防止发生触电事故，请不要在打开电源的状态下，打开电气箱盖以及触摸电气箱内的零件。



注意

- 1、为了防止人身事故的发生，请不要在卸下电机罩、手指防护器等安全装置的状态下运转缝纫机。
- 2、为了防止被卷入机器的人身事故，缝纫机运转中请不要将手指、头发、衣服靠近手轮，也不要把东西放到机器上面。
- 3、为了防止人身事故的发生，打开电源时以及缝纫机运转中，请不要把手指放到机针附近。
- 4、为了防止人身事故的发生，缝纫机运转中请不要把手指放到挑线杆外罩内。
- 5、缝纫机操作中，旋梭高速地旋转。为了防止手受到伤害，运转中请绝对不要把手靠近旋梭。
- 6、为了防止人身事故的发生，放倒缝纫机或返回原来位置时，要注意不要夹住手。
- 7、为了防止突然的起动造成人身事故，放倒缝纫机时，请一定关掉电源。
- 8、使用伺服电机时，缝纫机停止电机无声音。为了防止意外的起动造成人身事故，请注意不要忘记关电源。
- 9、为了防止触电事故，卸下电源地线的状态，请不要运转缝纫机。
- 10、为了防止触电和损坏电气零件，拔电源的插头时，请先关掉机器电源开关。

运转缝纫机前的注意事项



注意

为了防止机械的错误动作或损伤，请确认如下项目。

- 最初使用缝纫机之前，请把机器打扫干净。
- 清除运送中积存的灰尘，并加油。
- 请确认电压设定是否正确。
- 请确认电源插头是否正确连接。
- 电压规格不同时，请绝对不要使用。
- 缝纫机的转动方向是，站在飞轮侧看为逆时针方向。请注意不要让缝纫机反向转动。

FOR SAFE OPERATION



DANGER

1. To avoid electrical shock hazards, neither open the cover of the electrical box for the motor nor touch the components mounted inside the electrical box.



CAUTION

1. To avoid personal injury, never operate the machine with any of the belt cover, Finger guard or safety devices removed.
2. To prevent possible personal injuries caused by being caught in the machine, Keep your fingers, head and clothes away from the handwheel, V belt and the motor while the machine is operation. In addition, place nothing around them.
3. To avoid personal injury, never put your hand under the needle when you turn "ON" the power switch or operate the machine.
4. To avoid personal injury, never put your fingers into the thread take-up cover while the machine is in operation.
5. The hook rotates at a high speed while the machine is in operation. To prevent possible injury to hands, be sure to keep your hands away from the vicinity of the hook during operation. In addition, be sure to turn OFF the power to the machine when replacing the bobbin.
6. To avoid possible personal injuries, be careful not to allow your fingers in the machine when tilting/raising the machine head.
7. To avoid possible accidents because of abrupt start of the machine, turn OFF the power to the machine when tilting the machine head.
8. If your machine is equipped with a servo-motor, the motor does not produce noise while the machine is at rest. To avoid possible accidents due to abrupt start of the machine, be sure to turn OFF the power to the machine.
9. To avoid electrical shock hazards, never operate the sewing machine with the ground wire for the power supply removed.
10. To prevent possible accidents because of electric shock or damaged electrical components(s), turn OFF the power switch in prior to the connection/disconnection of the power plug.

BEFORE OPERATION



CAUTION:

To avoid malfunction and damage of the machine, confirm the following.

- Before you put the machine into operation for the first time after the set up, clean it thoroughly.
- Remove all dust gathering during transportation and oil it well.
- Confirm that the power plug has been properly connected to the power supply.
- Never use the machine in the state where the voltage type is different from the designated one.
- The direction of rotation of the sewing machine is counterclockwise as observed from the handwheel side. Be careful not to rotate it in reverse direction.

FOR SAFE OPERATION



DANGER

1. To avoid the risk of electric shock, do not open the motor wiring box and do not touch the components assembled inside the wiring box.



CAUTION

1. To avoid injuries, do not operate the machine without the belt cover or the finger guard or safety devices are removed.
2. To avoid possible injuries, keep your fingers, head and clothes far from hand wheel, V-Belt & motor when the machine is running. Nothing should be placed near these parts.
3. To avoid injuries, do not put your hand under the needle when the machine is running.
4. To avoid injuries, do not put your fingers into to the thread take-up lever cover when the machine is running.
5. The hook rotates at a high speed while machine is running. To prevent injuries, be sure to keep your hands away from the hook during operation. Turn OFF the power when replacing the bobbin.
6. To avoid possible injuries, be careful when putting down or lifting the machine head.
7. To avoid possible accidents because of an unexpected start of the machine, turn OFF the power when tilting the machine head.
8. If your machine is equipped with a servo-motor, the motor does not produce noise while the machine is at rest. To avoid possible accidents due to unexpected start of the machine, be sure to turn OFF the power of the machine.
9. To avoid electrical shock hazard, do not operate the machine without proper grounding.
10. To minimize the risk of accidents of damage in electric components caused by electric discharge, turn OFF the machine before unplugging it.

BEFORE OPERATION



CAUTION:

To avoid malfunction and damage of the machine, confirm the following

- Before running the machine for the first time after the set up, clean it thoroughly.
- Remove all dust gathered during storage and transportation and oil it well.
- Ensure the power plug has been properly connected to the power supply.
- Never use the machine in the state where the voltage type is different from the designated one.
- The machine should rotate in counterclockwise direction as observed from the hand wheel side. Be careful not to rotate it in reverse direction.

◆ 使用说明

1、规格.....	P1
2、缝纫机的安装.....	P1
3、膝动提升高度的调整.....	P2
4、线架装置的安装.....	P2
5、加润滑脂.....	P3
6、加油.....	P3
7、关于旋梭部油量(迹)调整方法.....	P4
8、机针的安装.....	P5
9、梭心的安装方法.....	P6
10、缝迹长度的调节.....	P6
11、压脚压力的调节.....	P6
12、关于压脚提升.....	P6
13、压脚杆高度的调整.....	P7
14、上线的穿线方法.....	P7
15、线张力器.....	P8
16、挑线弹簧.....	P8
17、挑线杆挑线量的调整.....	P9
18、机针与旋梭的关系.....	P9
19、送布牙的高度.....	P10
20、送布牙的倾斜.....	P10
21、踏板压力和行程.....	P11
22、踏板的调整.....	P12
23、踏板操作.....	P12
24、操作面板, 拆装顺序.....	P13

◆ 零件手册

1、机壳·外装部件.....	P15-P18
2、上轴·挑线部件.....	P19-P20
3、针杆·竖轴·下轴部件.....	P21-P22
4、压杆部件.....	P23-P24
5、送料部件.....	P25-P28
6、自动倒缝部件.....	P29-P30
7、选针盒部件.....	P29-P30
8、润滑部件.....	P31-P32
9、油盘部件.....	P31-P32
10、过线架部件.....	P33-P34
11、附件.....	P33-P34

CONTENS

◆ INSTRUCTION MANUAL

1. SPECIFICATIONS	P1
2. INSTALLATION	P1
3. ADJUSTING THE HEIGHT OF THE KNEE LIFTER	P2
4. INSTALLING THE THREAD STAND	P3
5. LUBRICATE	P3
6. LUBRICATION	P3
7. ADJUSTING THE AMOUNT OF OIL(OIL SPLASHES) IN THE HOOK	P4
8. ATTACHING THE NEEDLE.....	P5
9. SETTING THE BOBBIN INTO THE BOBBIN CASE	P6
10. ADJUSTING THE STITCH LENGTH	P6
11. PRESSER FOOT PRESSURE	P6
12. HAND LIFTER	P6
13. ADJUSTING THE HEIGHT OF THE PRESSER BAR	P7
14. THREADING THE MACHINE HEAD	P7
15. THREAD TENSION	P8
16. THREAD TAKE-UP SPRING	P8
17. ADJUSTING THE THREAD TAKE-UP STROKE	P9
18. NEEDLE-TO-HOOK RELATIONSHIP	P9
19. HEIGHT OF THE FEED DOG	P10
20. TILT OF THE FEED DOG	P10
21. ADJUSTING THE FEED TIMING	P11
22. ADJUSTMENT OF THE PEDAL	P12
23. PEDAL OPERATION	P12
24. DISASSEMBLING OF OPERATION PANEL	P13

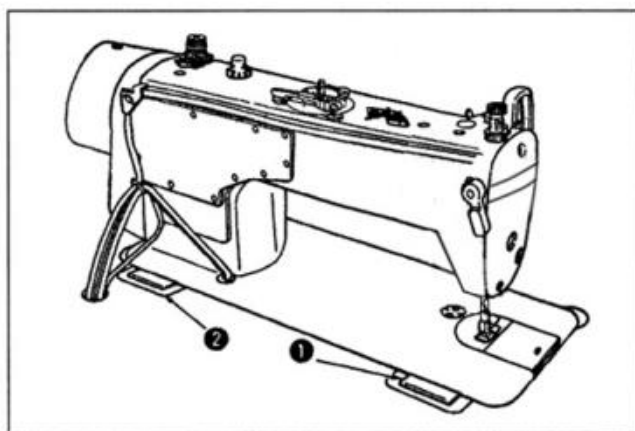
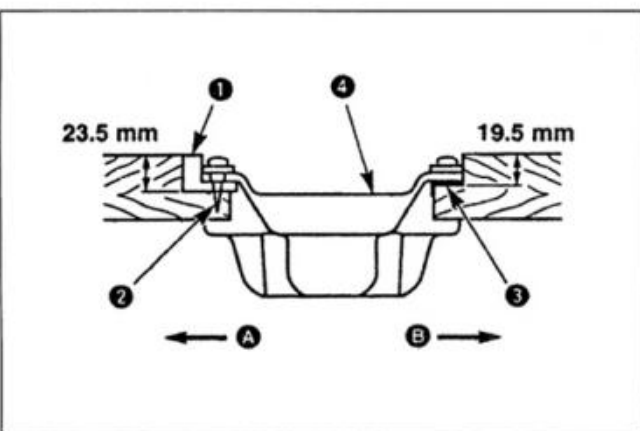
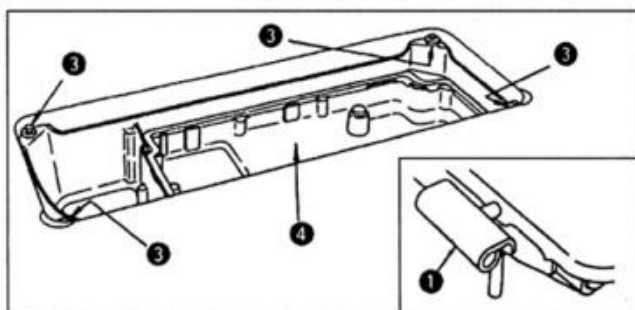
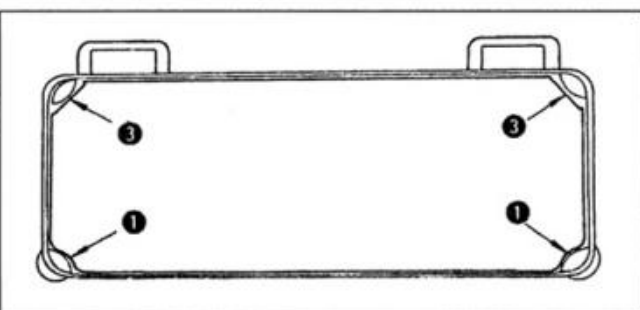
◆ PARTS BOOK

1. MACHINE FRAME&MISCELLANEOUS COVER COMPONENTS	P15-P18
2. MAIN SHAFT&THREAD-UP LEVER COMPONENTS	P19-P20
3. NEEDLE BAR, UPRIGHT SHAFT&HOOK DRIVING SHAFT COMPONENTS	P21-P22
4. HAND LIFTER COMPONENTS	P23-P24
5. FEED MECHANISM COMPONENTS	P25-P28
6. AUTOMATIC REVERSE FEED COMPONENTS	P29-P30
7. NEEDLE SELECTION BOX COMPONENTS	P29-P30
8. OIL LUBRICATION COMPONENTS	P31-P32
9. OIL RESERVOIR COMPONENTS	P31-P32
10. THREAD STAND COMPONENTS	P33-P34
11. ACCESSORIES	P33-P34

1. 规格 / SPECIFICATIONS

型号	H1	H1-H
用途 Application	一般布料, 薄料, 中厚料 Light to Medium Weight Materials	中厚料, 厚料 Medium to Light-heavy Materials
最高缝纫速度 Max. Sewing Speed	5,000 rpm	4,000 rpm
最大针迹长度 Max. Stitch Length	5 mm	7 mm
机针 Needle	DB×1 #9~18 (#14)	DB×1 #20~23 (#21)
压脚提升高度 Presser Foot Lift	10 mm (Standard)	
使用机油 Lubricating Oil	White Oil 10	

2. 缝纫机的安装 / INSTALLATION



(1) 底槽的安装

- 1) 把底槽支到机台沟的四角上。
- 2) 用螺钉②把前侧的A 2个头部橡胶支座①钉到机台的伸出部, 再用螺钉②把铰链侧B 的2个头部胶垫座③钉好固定, 然后把底槽④放上去。
- 3) 把铰链①放到机台的孔上, 对准机板橡胶支座②, 把头部放到四角的机头胶垫③上。

(1) Installing the Oil Pan

- 1) The oil pan should rest on the four corners of the machine table groove.
- 2) Fix two rubber seats ① on side A (operator's side) using nails ② as illustrated above. Fix two cushion seats ③ on side B (hinged side) using a rubber-based adhesive. Then place oil pan ④ on the fixed seats.
- 3) Fit hinge ① into the opening in the machine bed, and fit the machine head to table rubber hinge ② before placing the machine head on cushions ③ on the four corners.

3. 膝动提升高度的调整 / ADJUSTING THE HEIGHT OF THE KNEE LIFTER

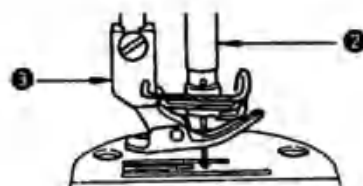
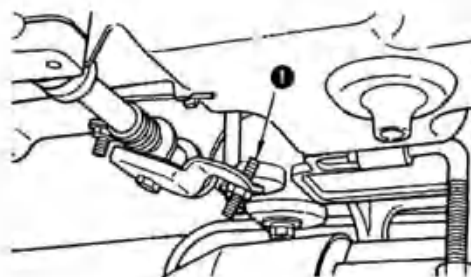
注意

为了防止意外的起动造成的事故，请关掉电源后进行。



WARNING:

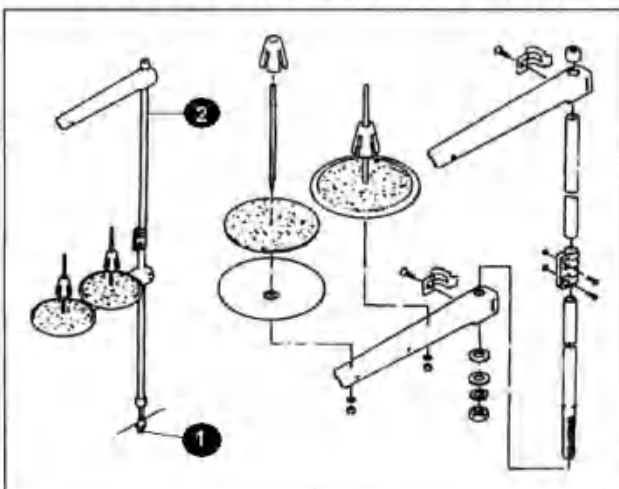
Turn OFF the power before starting the work so as to prevent accidents caused by abrupt start of the sewing machine.



- 1) 膝动提升的压脚标准高度为10mm。
- 2) 调节膝动提升调节螺丝 ① 可以把压脚高度最大调整到13mm。(A型时最大为9mm。)
- 3) 压脚提升到 10 mm 以上时，请注意针杆 ② 的前端下降到最底下时，不能碰到压脚 ③。

- 1) The standard height of the presser foot lifted using the knee lifter is 10 mm.
- 2) You can adjust the presser foot lift up to 13 mm using knee lifter adjust screw ①. (Max. 9 mm for A type)
- 3) When you have adjusted the presser foot lift to over 10 mm, be sure that the bottom end of needle bar ② in its lowest position does not hit presser foot ③.

4. 线架装置的安装 / INSTALLING THE THREAD STAND



- 1) 如图所示把线架安装到台板孔上。
- 2) 用固定螺母 ① 固定线架。
- 3) 从顶上配线时，请把电源线从线架 ② 中穿过。

- 1) Assemble the thread stand unit, insert it into the hole of machine table.
- 2) Tighten locknut '1' to fix the thread stand.
- 3) For ceiling wiring, pass the power cord through spool rest rod '2'.

5. 加润滑脂 / LIPIN

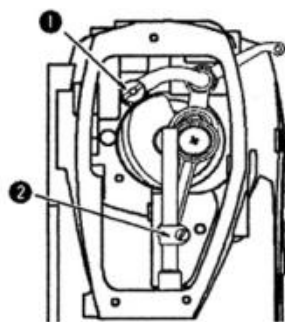
注意

为了防止意外的起动的事故，请关掉电源后进行。



WARNING:

Turn OFF the power before starting the work so as to prevent accidents caused by abrupt start of the sewing machine.



- 1) 请先卸下挑线连杆销①上的小螺钉后，将润滑脂注满挑线连杆销①的小孔内。
- 2) 请先拆下针杆连接柱组件后卸下针杆连接柱②上的小螺钉，将润滑脂注满针杆连接柱②的小孔内。

1. Please firstly disassemble the small screw of the thread take-up crank shaft ①, then fulfill the take-up crank shaft ① with lubricating grease.
2. Please firstly disassemble the needle rod holder ASM, then take off the small screw on the connection rod ②, lastly fulfill the needle bar connection ASM ② with lubricating grease.

6. 加油 / LUBRICATION

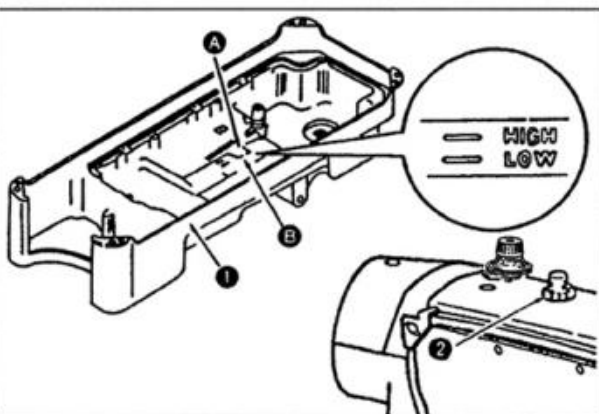
注意

为了防止意外的起动的事故，请关掉电源后进行。



WARNING:

Turn OFF the power before starting the work so as to prevent accidents caused by abrupt start of the sewing machine.



运转缝纫机前

- 1) 请把机油倒进油槽①里，一直加到 HIGH 标记 A 的位置。
- 2) 油槽的油面降到 LOW 标记 B 以下时，请再次补充机油。
- 3) 加油后运转缝纫机，如果润滑正常时，可以通过油窗②看到油的流动。
- 4) 油流动量的多少，与油量的多少无关。



注意 新缝纫机或较长时间没有使用的缝纫机在使用之前，应进行 10 分钟 3,000~3,500 rpm 的磨合运转。

Information on lubrication

- 1) Fill oil pan ① with Machine Oil up to HIGH mark A.
- 2) When the oil level lowers below LOW mark B, refill the oil pan with the specified oil.
- 3) When you operate the machine after lubrication, you will see splashing oil through oil sight window ② if the lubrication is adequate.
- 4) Note that the amount of the splashing oil is unrelated to the amount of the lubricating oil.



When you first operate your machine after setup or after an extended period of disuse, run your machine at 3,000 to 3,500 rpm. for about 10 minutes for the purpose of break-in.

7. 关于旋梭部油量（迹）调整方法 /

ADJUSTING THE AMOUNT OF OIL (OIL SPLASHES) IN THE HOOK

注意

旋梭是以高速运转。为了防止人身事故，调整油量时，请加以充分的注意。

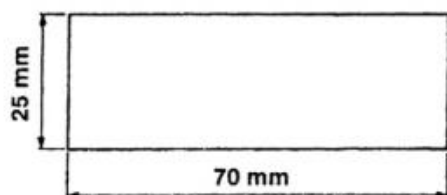


WARNING:

Be extremely careful about the operation of the machine since the amount of oil has to be checked by turning the hook at a high speed.

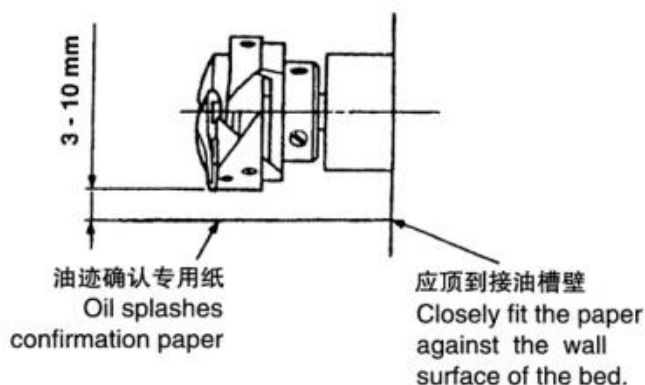
① 油量（迹）确认专用纸

Amount of oil (oil splashes) confirmation paper



② 油量（迹）确认位置

Position to confirm the amount of oil (oil splashes)



* 进行下列2)的作业时，请卸下滑板，同时要充分注意手指不要碰到旋梭。

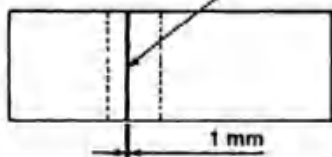
- 1) 冷机头时，请进行3分钟左右的空运转。（适当的断续运转）
- 2) 油量（迹）确认专用纸在缝纫机转动后的状态下插进去。
- 3) 请确认油量的油面高度应在HIGH和LOW的范围之内。
- 4) 确认油量（迹）所需要的时间为5秒钟。（应看着表）

* When carrying out the procedure described below in 2, remove the slide plate and take extreme caution not to allow your fingers to come in contact with the hook.

- 1) If the machine has not been sufficiently warmed up for operation, make the machine run idle for approximately three minutes. (Moderate intermittent operation)
- 2) Place the amount of oil (oil splashes) confirmation paper under the hook while the sewing machine is in operation.
- 3) Confirm the height of the oil surface in the oil reservoir is within the range between "HIGH" and "LOW".
- 4) Confirmation of the amount of oil should be completed in five seconds. (Check the period of time with a watch.)

• 油量 (油迹) 适合标准 / Sample showing the appropriate amount of oil

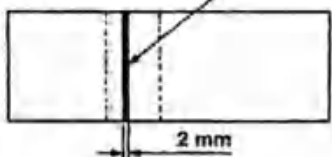
从旋梭飞溅出来的油 / Splashes of oil from the hook



油量适当 (小)

Appropriate amount of oil (small)

从旋梭飞溅出来的油 / Splashes of oil from the hook



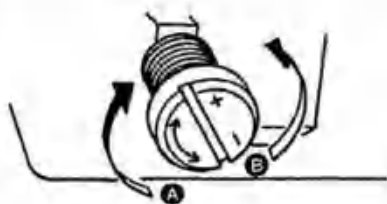
油量适当 (大)

Appropriate amount of oil (large)

- 1) 左图标样根据缝制供需需要微调增减, 但注意不要过大增加或减少。
(油量过少时, 会烧坏旋梭 (发热)。油量过多时, 会脏污缝制品。)
- 2) 油量 (油迹) 应确认3次 (3张) 均无变化。

- 1) The amount of oil shown in the samples on the left should be finely adjusted in accordance with sewing processes. Be careful not to excessively increase/decrease the amount of oil in the hook. (If the amount of oil is too small, the hook will be seized (the hook will be hot). If the amount of oil is too much, the sewing product may be stained with oil.)
- 2) Adjust the amount of oil in the hook so that the oil amount (oil splashes) should not change while checking the oil amount three times (on the three sheets of paper)

• 旋梭油量 (迹) 调整 / Adjusting the amount of oil



- 1) 把下轴前端金属部件上的油量调节螺丝向“+”的方向 (A方向) 转动, 油量 (迹) 变多, 向“-”的方向 (B方向) 转动, 油量 (迹) 变少。
- 2) 油量调节螺丝调整后的油迹, 应空运转 30 秒钟左右进行油量 (迹) 的确认。

- 1) Turning the oil amount adjustment screw attached on the hook driving shaft front bushing in the “+” direction (in direction A) will increase the amount of oil (oil spots) in the hook, or in the “-” direction (in direction B) will decrease it.
- 2) After the amount of oil in the hook has been properly adjusted with the oil amount adjustment screw, make the sewing machine run idle for approximately 30 seconds to check the amount of oil in the hook.

8. 机针的安装 / ATTACHING THE NEEDLE

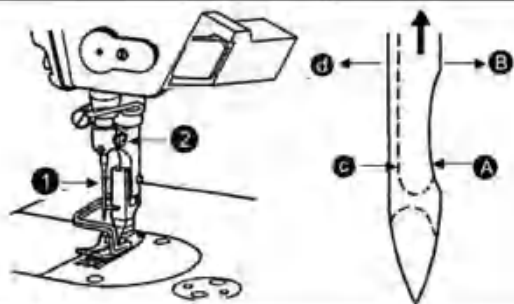


注意

为了防止意外的起动造成的事故, 请关掉电源后进行。

WARNING:

Turn OFF the power before starting the work so as to prevent accidents caused by abrupt start of the sewing machine



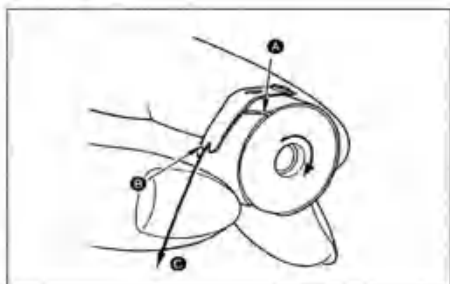
请根据线的粗细, 布料的种类选择适当的机针。

- 1) 转动带轮, 把针杆升到最高处。
- 2) 拧松机针固定螺丝②, 手拿机针把机针①凹部A横向转到B的方向。
- 3) 把机针插到针杆孔的深处。
- 4) 拧紧机针固定螺丝。
- 5) 确认的长孔C在横向D的方向。

Choose a proper needle size according to the count of thread and the type of sewing material used.

- 1) Turn the handwheel until the needle bar reaches to the highest point of its stroke.
- 2) Loosen screw “2”, hold the needle “1” with its intended part “A” facing to the right in direction “B”.
- 3) Insert the needle in direction of arrow until it will go no further.
- 4) Tighten screw “A”.
- 5) Make sure the long groove “C” of the needle is facing to the left of direction “d”.

9. 梭心的安装方法 / SETTING THE BOBBIN INTO THE BOBBIN CASE



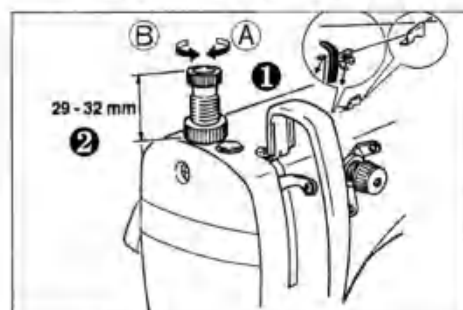
- 1) 把线穿过梭壳的穿线口(A)，然后把线往(B)方向拉，从线张力弹簧下面的穿线口(B)拉出来。
- 2) 拉底线(C)，确认梭心是否按箭头方向转动。
- 1) Pass the thread through thread slit 'A', pull the thread in direction 'B', by doing so, the thread will pass under the tension spring and come out from notch 'B'.
- 2) Check that the bobbin rotates in the direction of the arrow when thread 'C' is pulled.

10. 线迹长度的调节 / ADJUSTING THE STITCH LENGTH



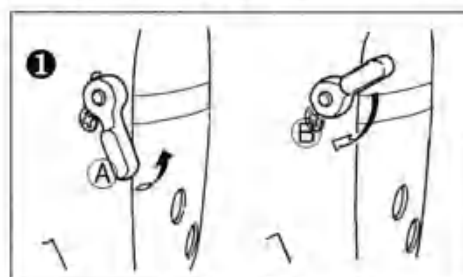
- 1) 沿箭头方向转动送料距旋钮①，并把希望数字对准机头的刻点(A)。
- 2) 刻度盘的数字为 mm。
- 3) 从大往小变更送布刻度时，请向箭头方向按下倒缝扳手②的同时转动调节刻度盘进行调节。
- 1) Turn stitch length dial '1' in the direction of the arrow, and align the desired number to mark dot 'A' on the machine arm.
- 2) The dial calibration is in millimeters.
- 3) When you want to decrease the stitch length, turn stitch length dial '1' while pressing the feed lever '2' in the direction of the arrow.

11. 压脚压力的调节 / PRESSER FOOT PRESSURE



- 1) 拧松螺母②，把压脚调节螺钉①向右 A 方向转，力变强。
- 2) 线左(B)方向转，力变弱。
- 3) 调节后，拧紧螺母②。
- 4) 一般布料时，压脚调节螺钉的标准高度为 29~32mm。
- 1) Loosen nut '2'. Turn presser spring regulator '1' clockwise (in direction 'A', the presser foot pressure will increase.
- 2) Turn the presser spring regulator '1' counter-clockwise (in direction B), the pressure will decrease.
- 3) After adjustment, tighten nut '2'.
- 4) For general fabrics, the standard height of the presser spring regulator is 29 to 32mm.

12. 关于压脚提升 / HAND LIFTER



- 1) 沿方向(A)转动压脚①，抬起压脚。
- 2) 当沿方向(B)转动压脚①，压脚将返回共原本体位置。
- 1) Turn the presser foot '1' in direction 'A' to lift the presser foot.
- 2) Presser foot will go back to its original position when the lifter is turned down in direction 'B'.

13. 压脚杆高度的调整 / ADJUSTING THE HEIGHT OF THE PRESSER BAR

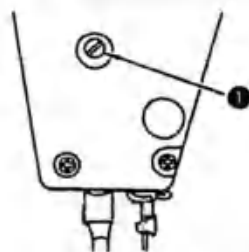
注意

为了防止意外的起动的事故，请关掉电源后进行。



WARNING:

Turn OFF the power before starting the work so as to prevent accidents caused by abrupt start of the sewing machine.



1) 变更压脚杆的高度或压脚的角度时，请拧松压脚杆套管固定螺丝①进行调整。

2) 调整后，拧紧固定螺丝①。

1) Loosen setscrew ①, and adjust the presser bar height or the angle of the presser foot.

2) After adjustment, securely tighten the setscrew ①.

14. 上线的穿线方法 / THREADING THE MACHINE HEAD

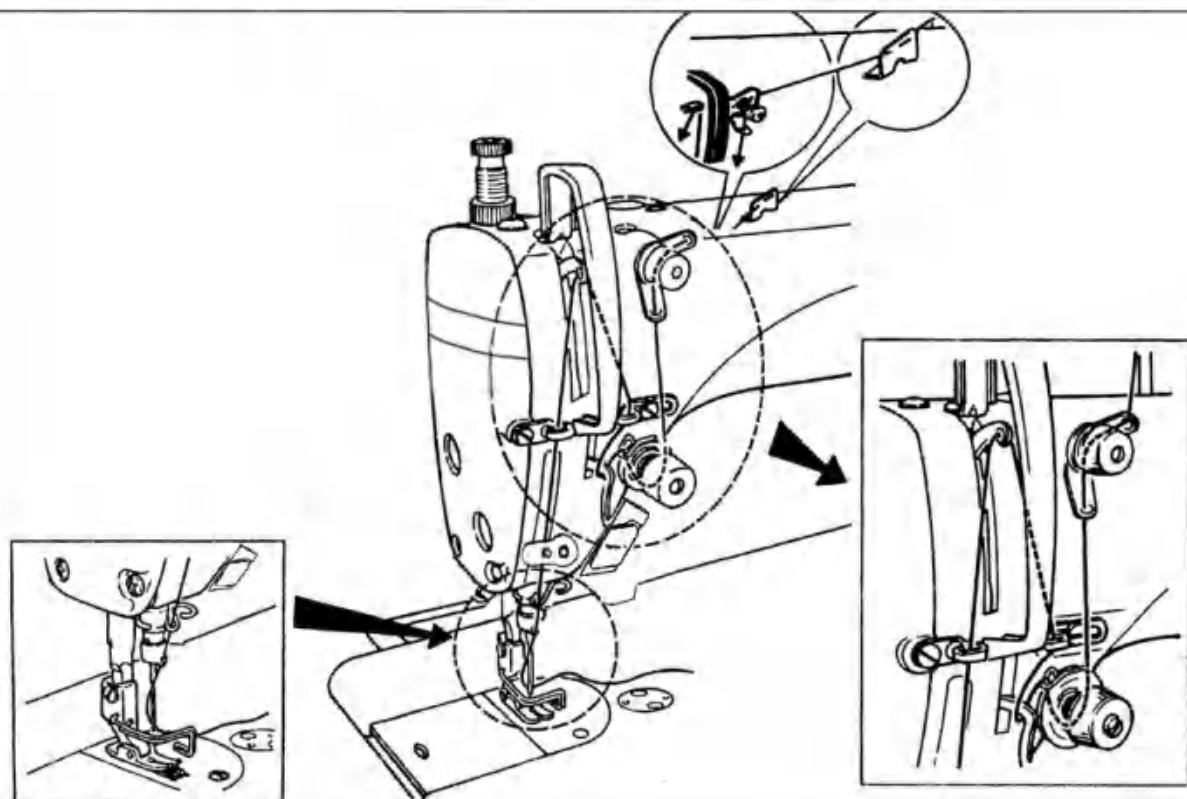
注意

为了防止意外的起动的事故，请关掉电源后进行。



WARNING:

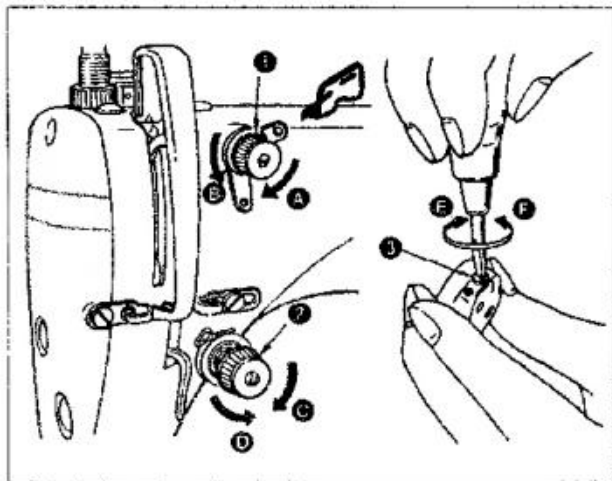
Turn OFF the power before starting the work so as to prevent accidents caused by abrupt start of the sewing machine.



穿面线时，针杆应在最高为止，然后由线架上引出线头安如图示顺序穿线。

The needle bar should be at the highest position at its stroke, thread the machine in the order shown as above.

15. 线张力器 / THREAD TENSION



(1) 上线张力的调整

- 1) 向右 **A** 的方向转动第一线张力螺母 **1**，切线后残留在机针上的线长度变短。
- 2) 向左 **B** 的方向转动，则长度变长。
- 3) 向右 **C** 的方向转动第二线张力螺母 **2**，上线张力变强。
- 4) 向左 **D** 的方向转动，则上线张力变弱。

(2) 底线张力的调整

- 1) 向右 **E** 的方向转动线张力螺丝 **3**，底线张力变强。
- 2) 向左 **F** 的方向转动线张力螺丝，则底线张力变弱。

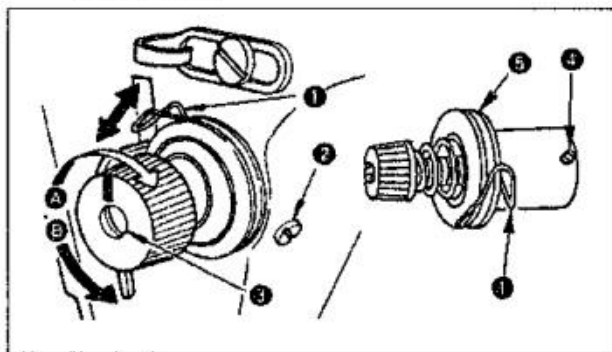
(1) Adjusting the needle thread tension

- 1) As you turn thread tension nut **1** clockwise (in direction **A**), the thread remaining on the needle after thread trimming will be shorter.
- 2) As you turn nut **1** counterclockwise (in direction **B**), the thread length will be longer.
- 3) As you turn thread tension nut **2** clockwise (in direction **C**), the needle thread tension will be increased.
- 4) As you turn nut **2** counterclockwise (in direction **D**), the needle thread tension will be decreased.

(2) Adjusting the bobbin thread tension

- 1) As you turn tension adjust screw **3** clockwise (in direction **E**), the bobbin thread tension will be increased.
- 2) As you turn screw **3** counterclockwise (in direction **F**), the bobbin thread tension will be decreased.

16. 挑线弹簧 / THREAD TAKE-UP SPRING



(1) 挑线弹簧 **1** 的行程量调整

- 1) 拧松线张力台的固定螺丝 **2**。
- 2) 向右 **A** 的方向转动线张力杆 **3**，则行程量变大。
- 3) 向左 **B** 为了防止布的跑偏，需要提早。

(2) 挑线弹簧 **1** 的压力调整

- 1) 拧松固定螺丝 **2**，卸下线张力杆 **5**。
- 2) 拧松线张力杆固定螺丝 **4** 进行调整。
- 3) 向右 **A** 的方向转动线张力杆 **3** 则压力变强。
- 4) 向左 **B** 的方向转动压力则压力变弱。

(1) Changing the stroke of thread take-up spring **1**

- 1) Loosen setscrew **2**.
- 2) As you turn tension post **3** clockwise (in direction **A**), the stroke of the thread take-up spring will be increased.
- 3) As you turn the knob counterclockwise (in direction **B**), the stroke will be decreased.

(2) Changing the pressure of thread take-up spring **1**

- 1) Loosen setscrew **2**, and remove thread tension (asm) **5**.
- 2) Loosen setscrew **4**.
- 3) As you turn tension post **3** clockwise (in direction **A**), the pressure will be increased.
- 4) As you turn the post **3** counterclockwise (in direction **B**), the pressure will be decreased.

17. 挑线杆挑线量的调整 / ADJUSTING THE THREAD TAKE-UP STROKE

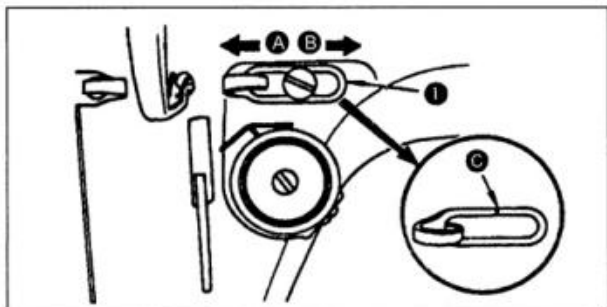
注意

为了防止意外的启动造成的事故，请关掉电源后进行。



WARNING:

Turn OFF the power before starting the work so as to prevent accidents caused by abrupt start of the sewing machine.



- 1) 缝制厚料时，向左A的方向移动线导向器①，则挑线量变多。
- 2) 缝制薄料时，向右B的方向移动线导向器①，则挑线量变少。
- 3) 线导向器①在刻线C对准螺丝的中心时是标准位置。

- 1) When sewing heavy-weight materials, move thread guide ① to the left (in direction A) to increase the length of thread pulled out by the thread take-up.
- 2) When sewing light-weight materials, move thread guide ① to the right (in direction B) to decrease the length of thread pulled out by the thread take-up.
- 3) Normally, thread guide ① is positioned in a way that marker line C is aligned with the center of the screw.

18. 机针与旋梭的关系 / NEEDLE-TO-HOOK RELATIONSHIP

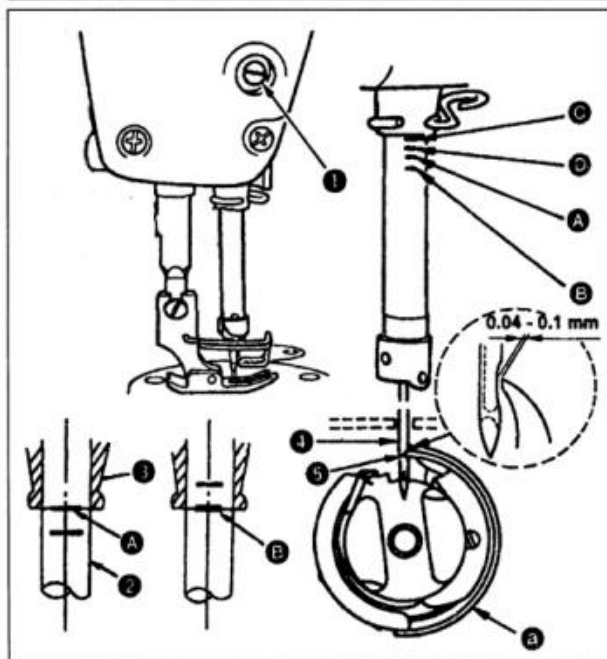
注意

为了防止突然启动造成人身事故，请关掉电源，确认马达确实停止转动后再进行。



WARNING:

To avoid possible personal injury due to abrupt start of the machine, turn off the power to the machine and check to be sure that the motor has totally stopped rotating in prior.



(1) 请按如下方法调整机针和旋梭。

- 1) 转动飞轮，让针杆降到最低点，然后拧松针杆套管固定螺丝①。

(决定针杆高度)

- 2) [DB针时]

把针杆②的刻线A对准针杆下套筒③的下端，然后拧紧针杆套管固定螺丝①。

[DA针时]

把针杆②的刻线C对准针杆下套筒③的下端，然后拧紧针杆套管固定螺丝①。

(决定旋梭a的安装位置)

- 3) [DB针时]

拧松3根旋梭固定螺丝，转动飞轮在针杆②上升的方向，把刻线B对准针杆下套筒③的下端。

[DA针时]

拧松3根旋梭固定螺丝，转动飞轮在针杆②上升的方向，把刻线D对准针杆下套筒③的下端。

- 4) 在此状态下，让旋梭尖⑤对准机针④的中心，把机针与旋梭的间隙调整为0.04~0.1mm（大致），然后拧紧螺丝。



注意 间隙过小的话，会损伤旋梭尖。间隙过大的话，会跳针。

(1) Adjust the timing between the needle and the hook as follows:

- 1) Turn the handwheel to bring the needle bar down to the lowest point of its stroke, and loosen setscrew ①.
(Adjusting the needle bar height)
- 2) **(For a DB needle)** Align marker line A on needle bar ② with the bottom end of needle bar lower bushing ③, then tighten setscrew ①.
(For a DA needle) Align marker line C on needle bar ② with the bottom end of needle bar lower bushing ③, then tighten setscrew ①.
(Adjusting position of the hook a)
- 3) **(For a DB needle)** Loosen the three hook setscrews, turn the handwheel and align marker line B on ascending needle bar with the bottom end of needle bar lower bushing ③.
(For a DA needle) Loosen the three hook setscrews, turn the handwheel and align marker line D on ascending needle bar with the bottom end of needle bar lower bushing ③.
- 4) After making the adjustments mentioned in the above steps, align hook blade point ⑤ with the center of needle ④. Provide a clearance of 0.04 mm to 0.1mm (reference value) between the needle and the hook, then securely tighten setscrews in the hook.



If the clearance between the blade point of hook and the needle is smaller than the specified value, the blade point of hook will be damaged. If the clearance is larger, stitch skipping will result.

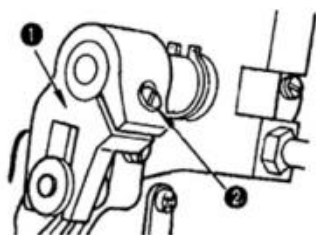
19. 送布牙的高度 / HEIGHT OF THE FEED DOG

注意

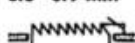
为了防止意外的起动力造成的事故，请关掉电源后进行。

WARNING:

Turn OFF the power before starting the work so as to prevent accidents caused by abrupt start of the sewing machine.



0.8 - 0.9 mm



调节送布牙的高度时

- ① 拧松上下送布双叉 ① 的紧固螺丝 ②。
- ② 上下移动送布台进行调节。
- ③ 拧紧固定螺丝 ②。



注意 紧固压力过弱的话，抬牙叉部的动作则变得不灵活了。

To adjust the height of the feed dog:

- ① Loosen screw ② of crank ①.
- ② Move the feed bar up or down to make adjustment.
- ③ Securely tighten screw ②.

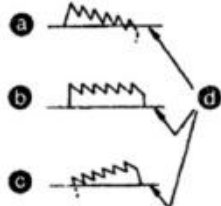
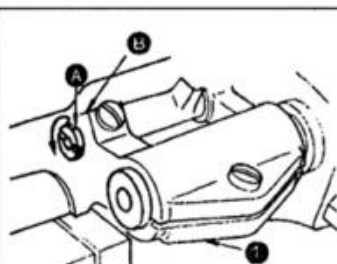
20. 送布牙的倾斜 / TILT OF THE FEED DOG

注意

为了防止意外的起动力造成的事故，请关掉电源后进行。

WARNING:

Turn OFF the power before starting the work so as to prevent accidents caused by abrupt start of the sewing machine.



- a 前上 / Front up
- b 标准 / Standard
- c 前下 / Front down
- d 针板 / Throat plate

- 1) 标准倾斜（水平）度是送布台轴的刻点A和送布台曲柄①的B部一致时的位置。
（的标准倾斜是对B部呈90度水平送布面向轴侧的位置。）
- 2) 为了防止缝制皱摺，向前抬起送布牙时，请拧松固定螺丝，把螺丝刀插入送布台轴，然后沿箭头方向转90度。
- 3) 为了减少布的偏斜，向前下降送布牙时，请沿与箭头方向相反方向转90度。



调节了送布牙之后，送布齿的高度会有变化，请再次确认。

- 1) The standard tilt (horizontal) of the feed dog is obtained when marker dot **A** on the feed bar shaft is aligned with marker dot **B** on feed rocker **1**. (the marker dot **B** inclines forward the feed rocker shaft by 90°, as standard).
- 2) To tilt the feed dog with its front up in order to prevent puckering, loosen the setscrew, and turn the feed bar shaft 90° in the direction of the arrow, using a screwdriver.
- 3) To tilt the feed dog with its front down in order to prevent uneven material feed, turn the feed bar shaft 90° in the opposite direction from the arrow. (The standard tilt for.)



Whenever the feed dog tilt is adjusted, the feed dog height will be changed. So, it is necessary to check the height after tilt adjustment.

21. 送布相位的调节 / ADJUSTING THE FEED TIMING

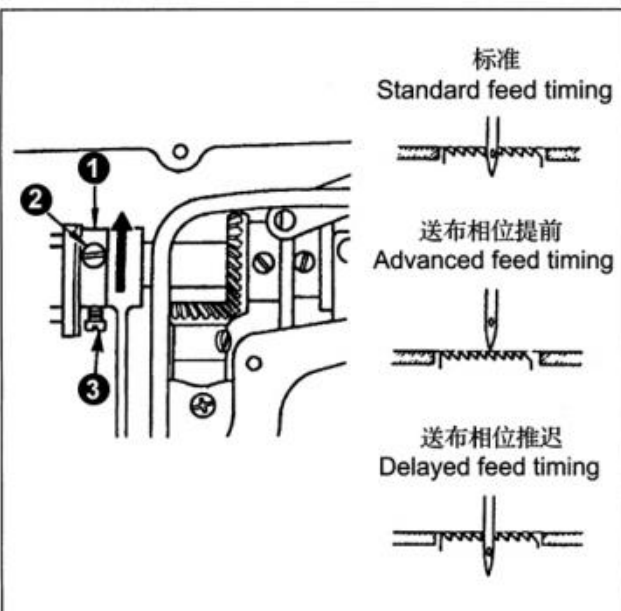
注意



为了防止突然启动造成人身事故，请关掉电源，确认马达确实停止转动后再进行。

WARNING:

To avoid possible personal injury due to abrupt start of the machine, turn off the power to the machine and check to be sure that the motor has totally stopped rotating in prior.



- 1) 拧松送布偏心凸轮**1**的固定螺丝**2**、**3**，朝箭头方向或反箭头方向移动送布偏心凸轮，然后拧紧固定螺丝。
- 2) 标准调节位置是送布牙从针板下落时，送布牙上面与针孔上端对准针板上面的位置。
- 3) 提早送布相位以防止布偏斜时，请向箭头方向移动送布偏心凸轮。
- 4) 为了良好的紧线而推迟相位时，请逆箭头方向移动偏心凸轮。



移动距离过大会发生断针故障。

- 1) Loosen screws **2** and **3** in feed eccentric cam **1**, move the feed eccentric cam in the direction of the arrow or opposite direction of the arrow, and firmly tighten the screws.
- 2) For the standard adjustment, adjust so that the top surface of feed dog and the top end of needle eyelet are flush with the top surface of throat plate when the feed dog descends below the throat plate.
- 3) To advance the feed timing in order to prevent uneven material feed, move the feed eccentric cam in the direction of the arrow.
- 4) To delay the feed timing in order to increase stitch tightness, move the feed eccentric cam in the opposite, direction from the arrow.



Be careful not to move the feed eccentric cam too far, or else needle breakage may result.

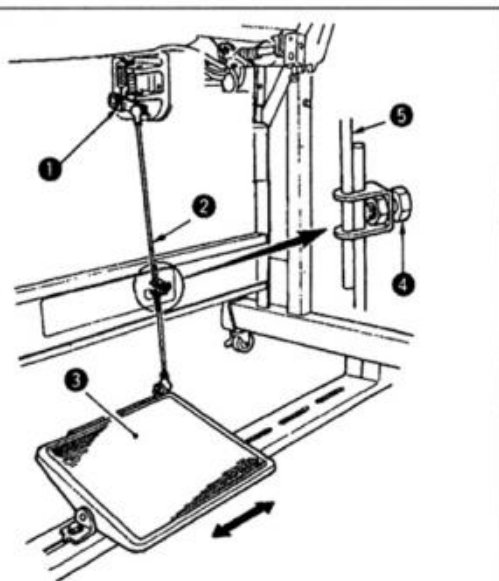
22. 踏板的调整 / ADJUSTMENT OF THE PEDAL

注意

为了防止意外的起动造成的事故，请关掉电源后进行。

WARNING:

Turn OFF the power before starting the work so as to prevent accidents caused by abrupt start of the sewing machine.



(1) 连接杆的安装

- 1) 向箭头方向移动踏板调节板 ③，让踏板拨杆 ① 和连接杆 ② 呈一直线。

(2) 踏板的角度

- 1) 调节连接杆的长度就可以自由地改变踏板的倾斜度。
- 2) 拧松调节螺丝 ④，拉出插入连接杆 ⑤ 进行调整。

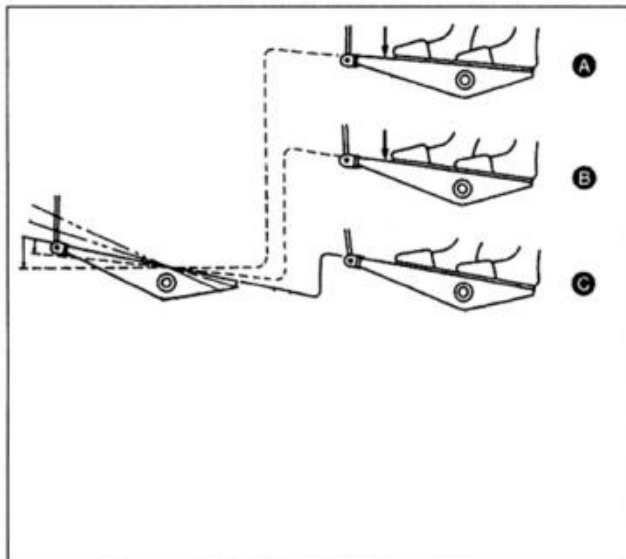
(1) Installing the connecting rod

- 1) Move pedal ③ to the right or left as illustrated by the arrow so that motor control lever ① and connecting rod ② are straightened.

(2) Adjusting the pedal angle

- 1) The pedal tilt can be freely adjusted by changing the length of the connecting rod.
- 2) Loosen adjust screw ④, and adjust the length of connecting rod ⑤.

23. 踏板操作 / PEDAL OPERATION



(1) 踏板按4个阶段进行操作。

- 1) 向前轻轻踩踏板为低速缝制 ②。
- 2) 再用力向前踩踏板则变为高速缝制 ①。
(但是，开关设定为自动倒缝时，倒缝结束后进行高速缝制)
- 3) 把踏板返回到脚轻轻地放到踏板上的位置缝制机停止 ③。(机针上停止或下停止位置)

(1) The pedal is operated in the following four steps:

- 1) The machine runs at low sewing speed when you lightly depress the front part of the pedal. ②
- 2) The machine runs at high sewing speed when you further depress the front part of the pedal. ①
(If the automatic reverse feed stitching has been preset, the machine runs at high speed after it completes reverse feed stitching)
- 3) The machine stops (with its needle up or down) when you reset the pedal to its original position. ③

24. 操作面板，拆装顺序 DISASSEMBLING OF OPERATION PANEL



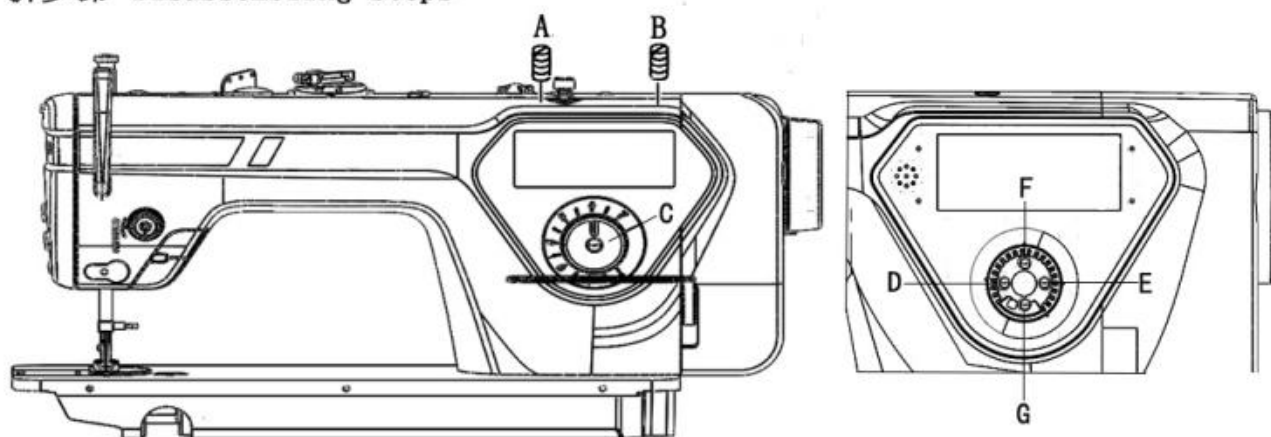
注意

为了防止意外的起动机造成的事故，请关掉电源后进行。

WARNING:

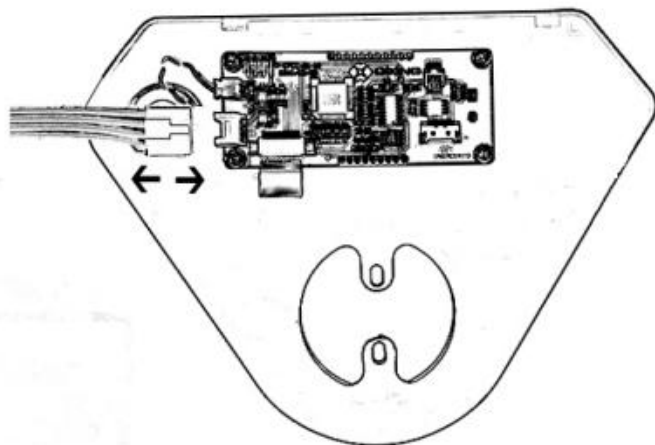
Turn OFF the power before starting the work so as to prevent accidents caused by abrupt start of the sewing machine.

拆步骤 Disassembling steps



1. 拧下螺钉 A. B. C. D. E. F. G

1. Use needle to open a. b. c. A. B. C. D. E. F. G



2. 取下操作面板，拨出连接插头

2. Remove the operation panel, Set aside

装步骤 assembling steps

按先拆后装的顺序装上操作面板。

Install the operation panel according to the first of disassembly after assembly.

零件手册

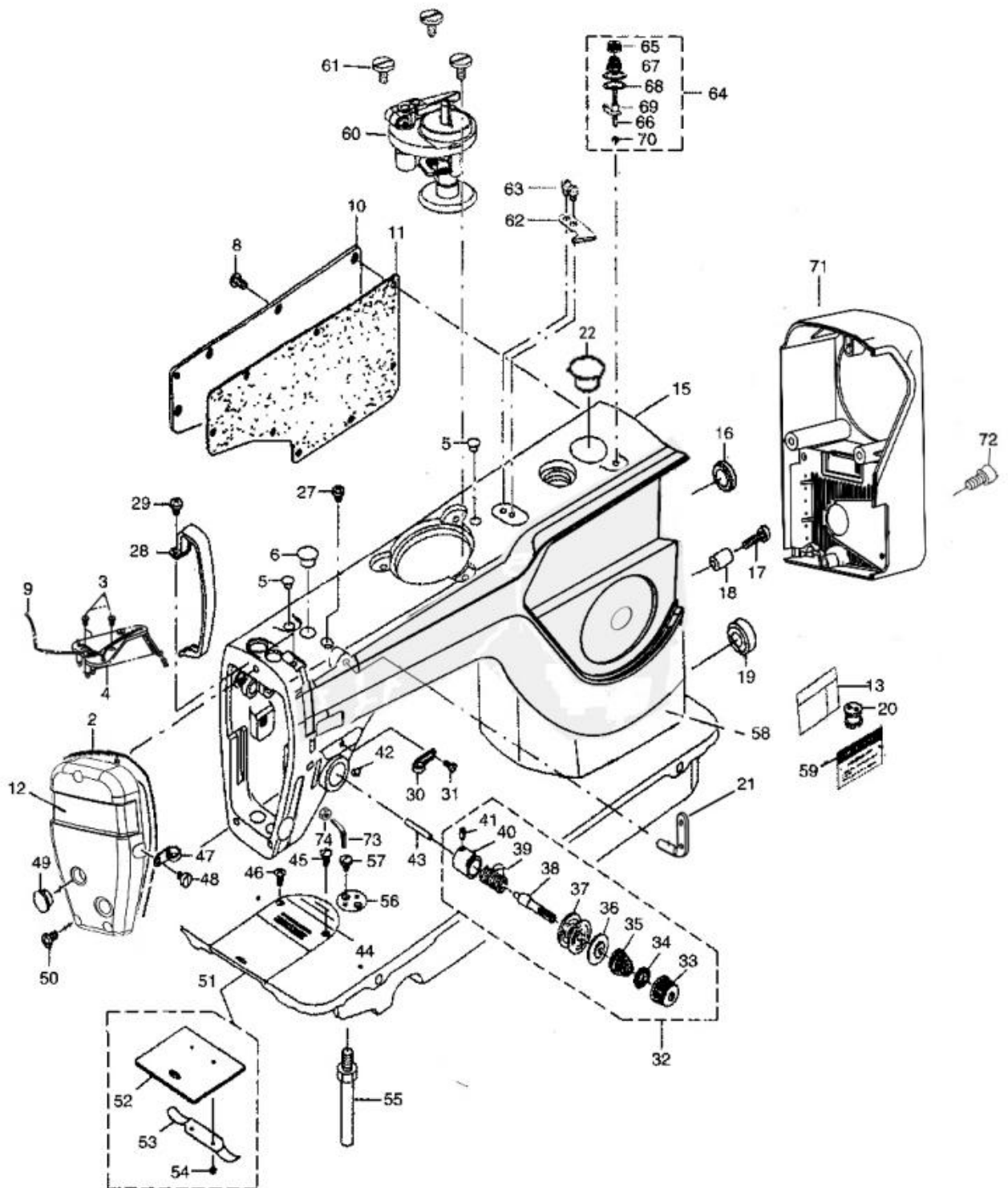
PARTS BOOK

选购零件部件时，请注明序号，件号。

Please confirm the relative applications Ref. No,part No. when buying the parts.

1.机壳·外装部件

MACHINE FRAME&MISCELLANEOUS COVER COMPONENTS

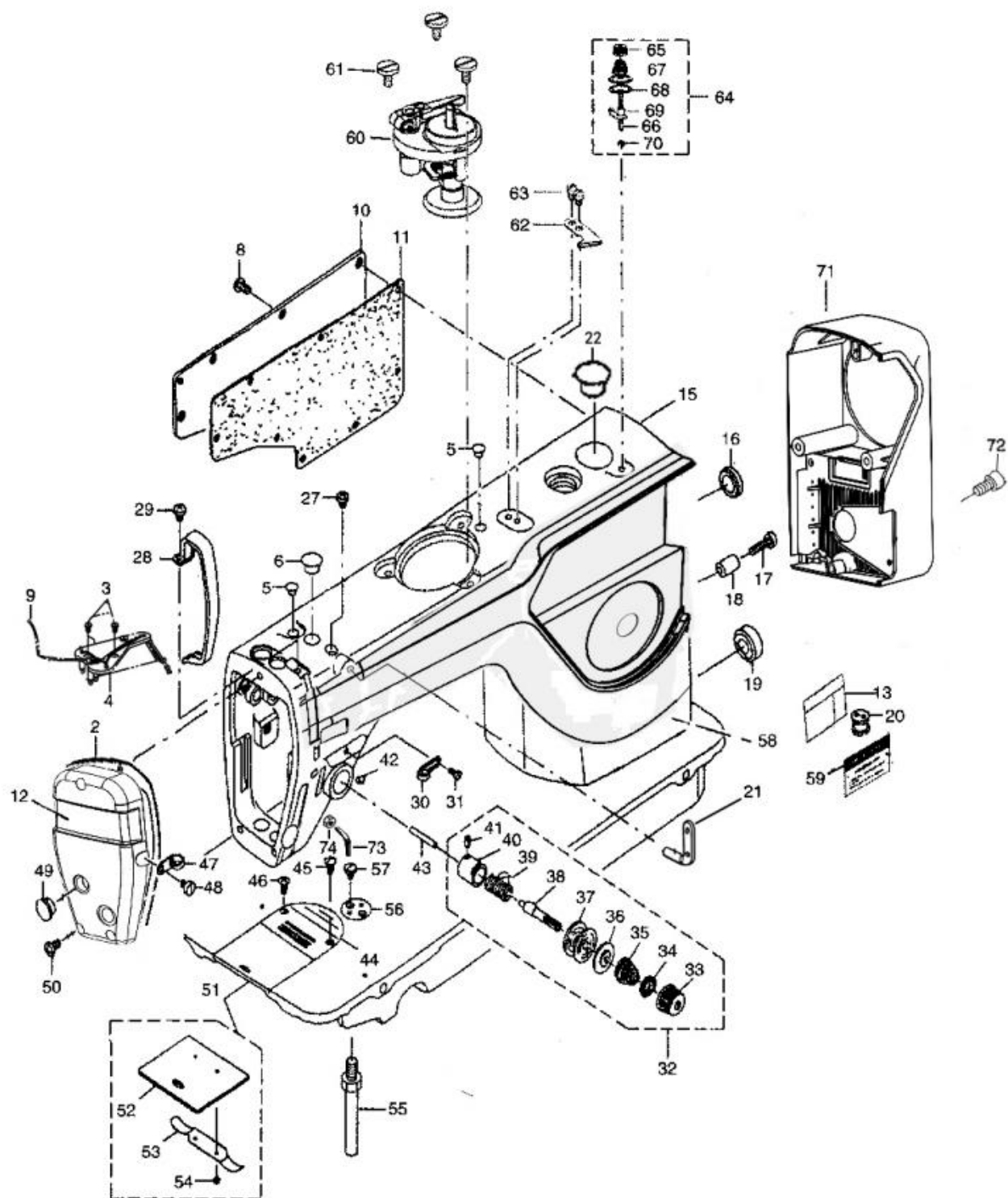


1.机壳·外装部件

序号 Ref. NO.	件号 Part NO.	名称	Description	数量 Qty	备注 Note
1	102.01-01-P	面板	Face plate	1	
2	102.01-02-P	面板垫	Face plate agsket	1	
3	02-608440421-1	油线板螺钉	Screw 9/64x40	2	
4	102.01-04	油线板	Oil board	1	
5	102.01-05	挑线连杆销螺孔塞	Rubber plug	3	
6	102.01-06	针杆曲柄螺孔塞	Rubber plug	1	
7	102.01-07	三眼过线板	Three eye line board	1	
8	02-412280923-1	后窗板螺钉	Screw 3/16x28 L=9	11	
9	102.01-09	油线	The oil line	1	
10	102.01-10	后窗板	Side plate	1	
11	102.01-11	后窗板垫	Gasket	1	
12	102.01-12	面板装饰片	Face plate	1	
13	102.01-13	安全指示牌	Safety label	1	
15	102.01-15-P	机壳	Machine cover	1	
16	102.01-16	送料调节器孔塞	Rubber plug	1	
17	02-512281821-1	倒缝限套紧固螺钉	Screw 3/16x28 L=18	1	
18	102.01-18	倒缝限位套	Reverse feed lever stopper	1	
19	102.01-19	下轴盲孔塞	Rubber plug	1	
20	102.01-20	导线过线套	Magnet cord rubber	1	
21	101.01-21	调线夹线器组件	Thread tension asm.	1	
22	101.01-22	橡皮塞	Rubber plug	1	
27	02-412280623-1	小夹线器组件螺钉	Screw 3/16x28 L=6	1	
28	102.01-28	挑线杆防护罩	Thread take-up lever cover	1	
29	02-412280623-1	挑线杆护罩螺钉	Screw 3/16x28 L=6	1	
30	102.01-30	右线钩	Arm thread guide Right	1	
31	02-611400621-1	右线钩螺钉	Screw 11/64x40 L=6	1	
32	101.01-32	夹线器组件	Thread tension asm.	1	
33	101.01-33	夹线螺母	Tension nut	1	
34	101.01-34	夹线制动板	Rotating stopper	1	
35	101.01-5	夹线簧	Tension spring	1	
36	101.01-36	夹线板	Thread tension disk presser	1	
37	101.01-37	夹线板	Thread tension disk	2	
38	101.01-38	夹线螺钉	Tension post	1	
39	101.01-39	挑线簧	Take-up spring	1	
40	101.01-40	挑线簧调节座	Tension post socket	1	
41	02-909400421-1	夹线螺钉紧固螺钉	Screw 9/64x40 L=5.5	1	
42	02-815280711-1	夹线器螺钉	Screw 15/64x28 L=7	1	
43	101.01-43	松线钉	Tension releasing	1	
44	101.01-44	针板	Throat plate	1	
	101.01-44-1	针板	Throat plate	1	厚料

1.机壳·外装部件

MACHINE FRAME&MISCELLANEOUS COVER COMPONENTS

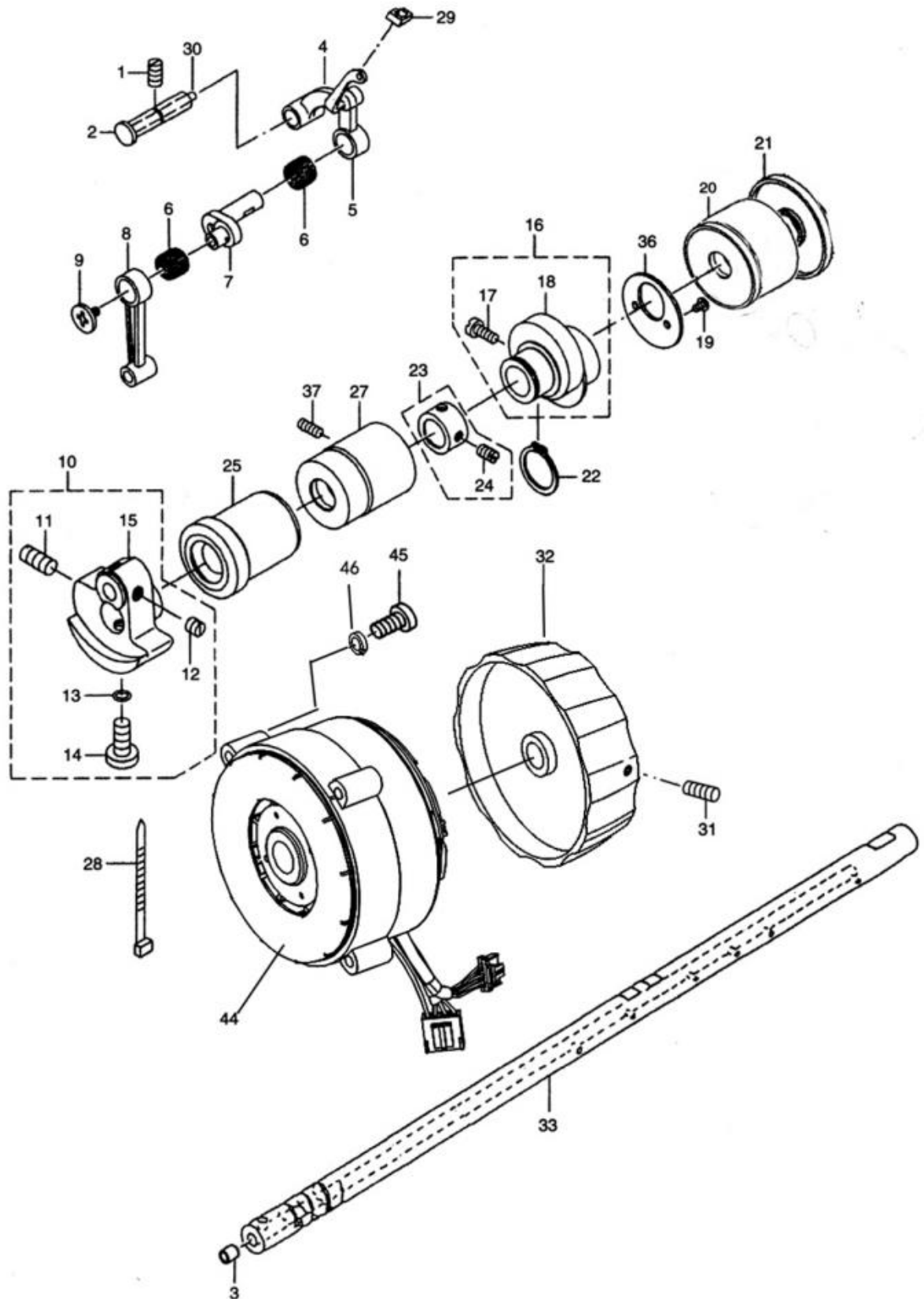


1.机壳·外装部件

序号 Ref. NO.	件号 Part NO.	名称	Description	数量 Qty	备注 Note
45	02-211400621-1	针板螺钉	Screw 11/64x40 L=6	1	
46	02-211400623-1	针板螺钉	Screw 11/64x40 L=6	1	
47	101.01-47	左线钩	Arm thread guide Left	1	
48	02-611400621-1	左线钩螺钉	Screw 11/64x40 L=6	1	
49	101.01-49	面板调节螺孔塞	Ribber plug	2	
50	02-412280923-1	面板螺钉	Screw 3/16x28 L=9	3	
51	101.01-51	推板部件	Slide plate asm.	1	
52	101.01-52	推板	Slide plate	1	
53	101.01-53	推板簧	Bed slide spring	1	
54	02-606560221-3	推板簧螺钉	Screw 3/32x56 L=2.2	2	
55	102.01-55	底板支柱	Bed screw stud	4	
56	101.01-61	夹边器	Ruler stopper	1	
57	02-911400611-1	夹边器螺钉	Screw 11/64x40 L=6	1	
58	101.01-63	型号牌铆钉	Pole	2	
59	102.01-64-P	型号牌	Model plate	1	
60	102.09-32	绕线器组件	Bobbin base	1	
61	102.09-33	绕线器螺钉	Screw	3	
62	102.09-34	割线刀	Knife	1	
63	102.09-35	割线刀螺钉	Knife screw	2	
64	102.09-36	绕线夹线器组件	Thread tension asm.	1	
65	102.09-36-01	绕线夹线螺母	Tension nut	1	
66	102.09-36-02	绕线夹线螺钉	Tension post	1	
67	102.09-36-03	绕线夹线弹簧	Tension spring	1	
68	102.09-36-04	绕线夹线板	Thread tension disk presser	2	
69	102.09-36-05	绕线过线板	Thread tension guide	1	
70	102.09-36-06	绕线夹线螺母(下)	Tension nut	1	
71	102.11-34	电机罩壳	Motor cover	1	
72	102.11-35	电机罩紧固螺钉	screw	3	
73	101.01-65	缓线勾	Slow wire hook	1	
74	101.01-66	缓线勾螺母	Tension nut 11/64X40	1	

2.上轴·挑线部件

MAIN SHAFT & THREAD-UP LEVER COMPONENTS

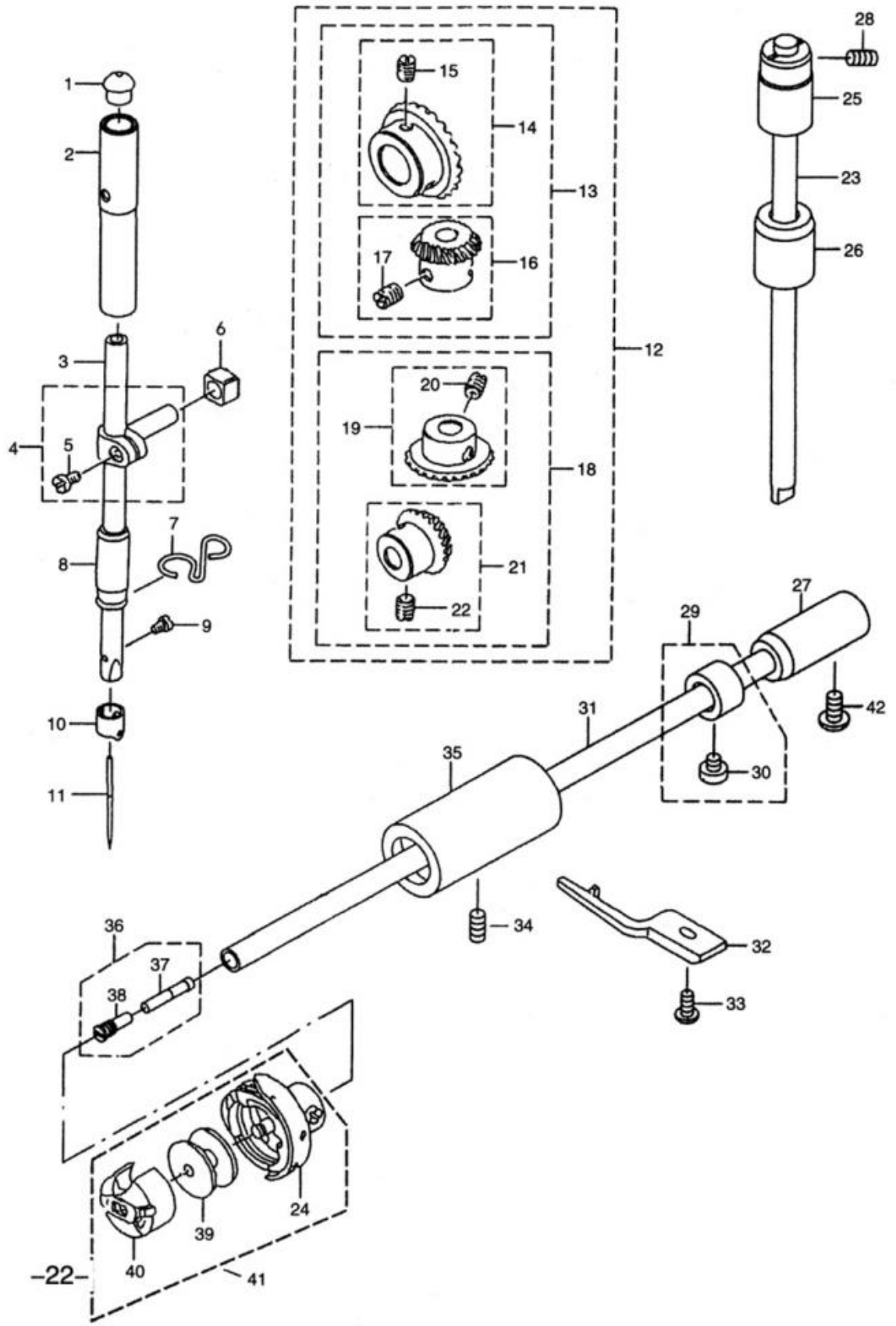


2.上轴·挑线部件

序号 Ref. NO.	件号 Part NO.	名称	Description	数量 Qty	备注 Note
1	02-815281151-1	挑线连杆销螺钉	Screw 15/64x28 L=10.5	1	
2	101.02-02	挑线连杆销	Thread take-up crank shaft	1	
3	101.02-03	上轴油塞	Roller felt	1	
4	101.02-04	挑线连杆	Thread take-up lever	1	
	101.02-04-1	挑线连杆	Thread take-up lever	1	厚料
5	101.02-05	挑线连杆分组件	Thread take-up lever asm.	1	
6	101.02-06	挑线杆滚针轴承	Needle bearing	2	
7	101.02-07	挑线曲柄部件	Needle bar crank	1	
8	101.02-08	针杆连杆	Needle bar crank rod	1	
9	101.02-09	挑线曲柄左旋螺钉	Left screw 9/64x40 L=4.8	1	
10	102.02-10	针杆曲柄组件	Counter weight asm.	1	
11	02-818281651-1	针杆曲柄紧固螺钉	Screw 9/32x28 L=16	1	
12	02-816400611-1	挑线曲柄定位螺钉	Screw 1/4x40 L=6	2	
13	101.02-13	定位螺钉O型圈	Rubber ring	1	
14	02-418281651-1	针杆曲柄定位螺钉	Screw 9/32x28 L=15.5	1	
15	102.02-15	针杆曲柄	Counter weight	1	
	102.02-15-1	针杆曲柄	Counter weight	1	厚料
16	101.02-16	送料偏心轮组件	Feed drive eccentric cam asm.	1	
17	02-516401111-1	送料偏心轮螺钉	Screw 1/4x40 L=11	2	
18	101.02-18	送料偏心轮	Feed drive eccentric cam	1	
19	02-409400623-1	送料偏心轮盖板螺钉	Screw 9/64x40 L=6	2	
20	102.02-20	上轴后轴套	After on the shaft sleeve	1	
21	102.02-21	上轴油封	Oil seal	1	
22	101.02-22	拾牙连杆开口挡圈	Snap ring	1	
23	102.02-23	上轴挡圈组件	Thrust collar asm.	1	
24	02-816400611-1	上轴挡圈螺钉	Screw 1/4x40 L=6	2	
25	101.02-25	上轴前轴套	Main shaft front bushing asm.	1	
27	102.02-27	上轴中轴套	Bushing,intermediate	1	
28	101.02-28	电线夹	Cable band	1	
29	101.02-29	橡皮套	Rubber	1	
30	101.02-30	挑线连杆销毛毡	Thread take-up crank shaft felt	1	
31	02-815281051-1	手轮螺钉	Screw 15/64x28 L=10	1	
32	102.02-34	手轮	Hand wheel	1	
33	102.02-38	上轴	Main shaft	1	
36	101.02-42	送料偏心轴盖板	Thrust collar	1	
37	102.02-43	上轴中轴套螺钉	Screw	1	
44	102.11-36	直驱电机组件	Motor asm.	1	
45	102.11-37	电机安装螺钉	Screw	4	
46	102.11-38	电机安装螺钉垫片	Washer	4	

3.针杆·竖轴·下轴部件

NEEDLE BAR, UPRIGHT SHAFT & HOOK DRIVING SHAFT COMPONENTS

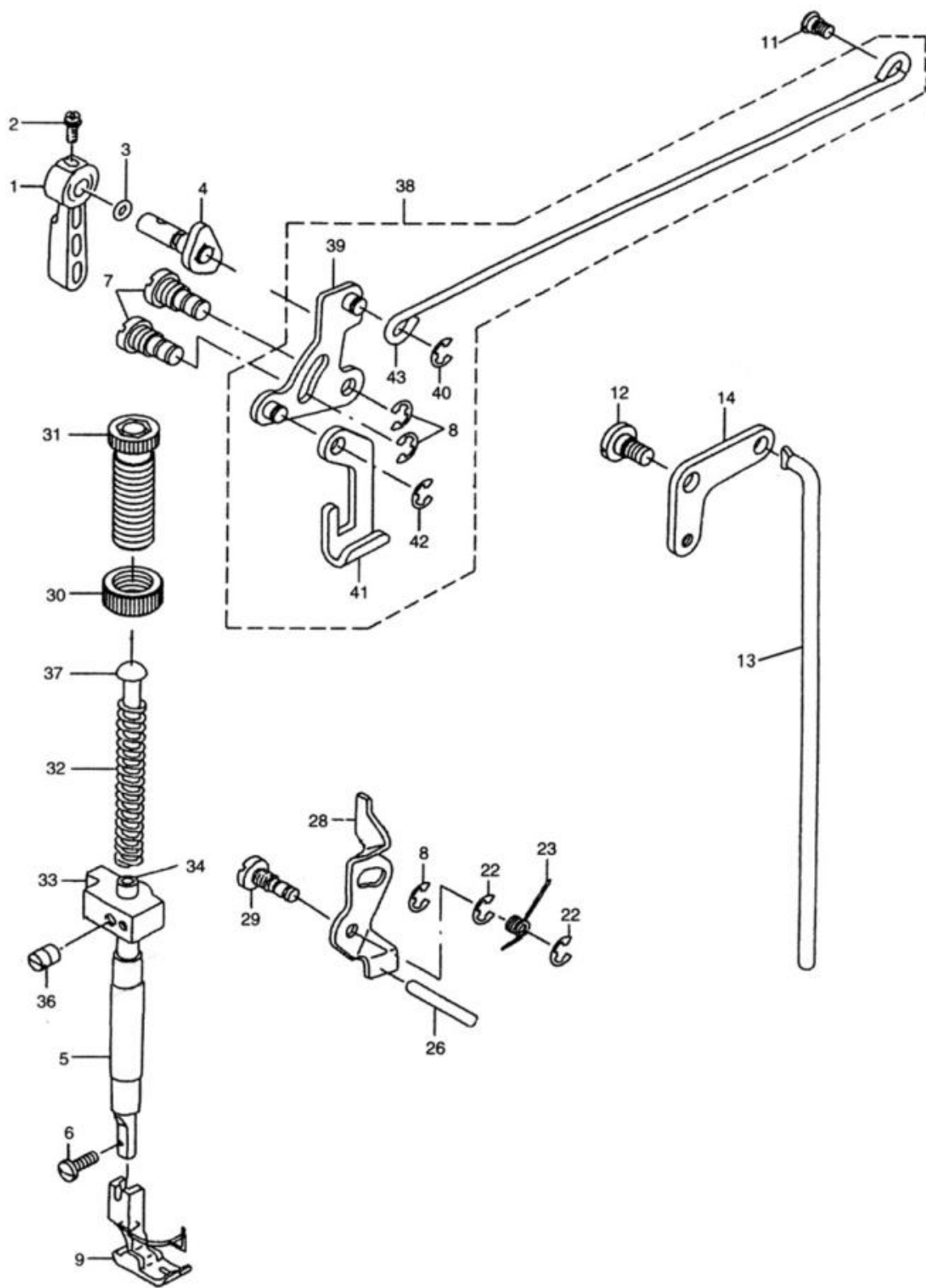


3.针杆·竖轴·下轴部件

序号 Ref. NO.	件号 Part NO.	名称	Description	数量 Qty	备注 Note
1	102.03-01	针杆上孔塞	Cap	1	
2	102.03-02	针杆上套	Needle bar bushing upper	1	
3	102.03-03	针杆	Needle bar	1	
	102.03-03-1	针杆	Needle bar	1	厚料
4	102.03-04	针杆连接柱组件	Needle rod holder asm.	1	
5	02-509400821-1	针杆连接柱螺钉	Screw 9/64x40 L=7.5	1	
6	102.03-06	针杆连接柱滑块	Slide block	1	
7	102.03-07	针杆下套线钩	Needle bar thread guide	1	
8	102.03-08	针杆下套	Needle bar bushing,lower	1	
9	02-508440521-1	机针螺钉	Screw 1/8x44 L=4.8	1	
10	102.03-10	针杆线钩	Needle bar thread guide	1	
11	101.03-11	机针	Needle DBX1 #14	1	
	101.03-11-1	机针	Needle DBX1 #14	1	厚料
12	101.03-12	伞齿轮组件	Gear&pinion asm.	1	
13	101.03-13	上齿轮组件	Gear&pinion asm.,upper	1	
14	101.03-14	上轴伞齿轮组件	Gear asm.	1	
15	02-816400811-1	伞齿轮螺钉	Screw 1/4x40 L=8	2	
16	101.03-16	竖轴上伞齿轮组件	Pinion asm.	1	
17	02-816400811-1	伞齿轮螺钉	Screw 1/4x40 L=8	2	
18	101.03-18	下齿轮组件	Gear&pinion asm.,lower	1	
19	101.03-19	竖轴下齿轮组件	Gear asm.	1	
20	02-816400811-1	伞齿轮螺钉	Screw 1/4x40 L=8	2	
21	101.03-21	下轴伞齿轮组件	Pinion asm.	1	
22	02-816400811-1	伞齿轮螺钉	Screw 1/4x40 L=8	2	
23	102.03-23	竖轴	Upright shaft	1	
24	101.03-24	旋梭	Hook asm.	1	
	101.03-24-1	旋梭	Hook asm.	1	厚料
25	102.03-25	竖轴上轴套	Upright shaft bushing,upper	1	
26	102.03-26	竖轴下轴套	Upright shaft bushing,lower	1	
27	102.03-27	下轴后轴套	Bushing rear	1	
28	02-812280711-1	竖轴上套紧固螺钉	Screw 3/16x28 L=7	1	
29	102.03-29	下轴挡圈组件	Thrust collar asm.	1	
30	02-511400511-1	下轴挡圈螺钉	Screw 11/64x40 L=5	2	
31	102.03-31	下轴	Lower shaft	1	
32	101.03-32	旋梭定位钩	Bobbin case holder	1	
33	02-511401021-1	旋梭定位钩螺钉	Screw 11/64x40 L=9.5	1	
34	02-812280711-1	下轴前轴套螺钉	Screw 3/16x28 L=7	1	
35	102.03-35	下轴前轴套	Lower shaft front metal	1	
36	101.03-38	下轴限油组件	Oil seal screw asm.	1	
37	101.03-39	下轴限油芯	Oil wick	1	
38	101.03-40	下轴限油螺钉	Oil seal screw	1	
39	101.03-41	梭心	Bobbin	1	
40	101.03-42	梭壳	Bobbin case	1	
41	101.03-43	旋梭梭壳组件	Hook bobbin case asm.	1	
	101.03-43-1	旋梭梭壳组件	Hook bobbin case asm.	1	厚料
42	02-612281311-1	下轴后轴套螺钉	Screw 3/16x28 L=13	1	

4. 压杆部件

HAND LIFTER COMPONENTS

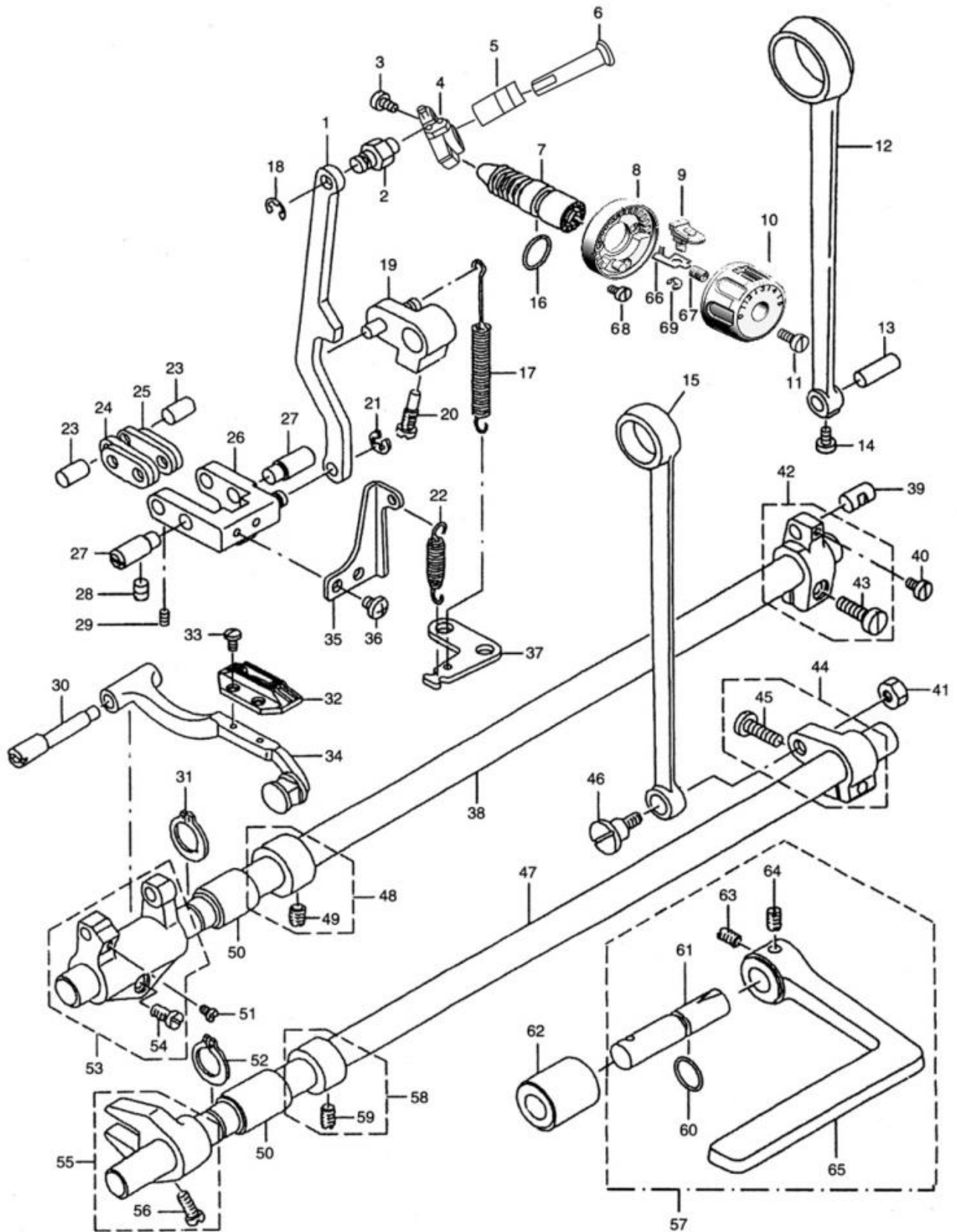


4.压杆部件

序号 Ref. NO.	件 号 Part NO.	名 称	Description	数 量 Qty	备注 Note
1	101.04-01	压脚扳手	Hand lifter	1	
2	02-509401023-1	压脚扳手螺钉	Screw 9/64x40 L=10	1	
3	101.04-03	压脚扳手轴O型圈	Rubber ring	1	
4	102.04-04	压脚扳手凸轮部件	Hand lifter cam asm.	1	
5	102.04-05	压杆轴套	Presser bar bushing lower	1	
6	02-409400821-1	活压脚螺钉	Screw 9/64x40 L=8	1	
7	102.04-07	前杠杆螺纹销	Link shaft	2	
8	101.04-08	螺纹销开口挡圈	E-ring 5	3	
9	101.04-09	活压脚部件	Presser foot asm.	1	
10	102.04-10	下压线底板	Wire holder bracket,lower	1	
11	102.04-11	抬压脚拉杆螺钉	Hinge screw	1	
12	3010519025	后杠杆轴位螺钉	Hinge screw	1	
13	102.04-13	抬压脚顶杆	Knee lifter connecting rod	1	
14	3010481012	抬压后杠杆	Lifting lever link	1	
22	101.04-22	螺纹销开口挡圈	E-ring 5	2	
23	101.04-23	松线顶板复位簧	Tension release return spring	1	
26	102.04-26	松线辅钉	Tension release supporting pin	1	
28	102.04-28	松线顶板	Thread tension release wire	1	
29	102.04-29	松线顶板螺纹销	Tension release shaft	1	
30	102.04-30	调压螺母	Presser adjusting screw nut	1	
31	102.04-31	调压螺钉	Presser spring regulator	1	
32	102.04-32	调压簧	Presser adjusting spring	1	
	102.04-32-1	调压簧	Presser adjusting spring	1	厚料
33	102.04-33	压杆导架	Presser bar guide bracket	1	
34	101.04-35	压杆	Presser bar	1	
36	02-816400811-1	压杆导架螺钉	Screw 1/4x40 L=8	1	
37	102.04-45	调压导杆	Presser guide bar	1	
38	102.04-39	前杠杆组件	Knee lifting cross rod asm	1	
39	102.04-40	抬压脚前杠杆部件	Hand lifter link	1	
40	102.04-41	拉杆开口挡圈	E-ring 5	1	
41	102.04-42	压脚升降板	Lifting lever	1	
42	102.04-43	升降板连接开口挡圈	E-ring 5	1	
43	102.04-44	抬压脚拉杆	Knee lifting cross rod	1	

5.送料部件

FEED MECHANISM COMPONENTS

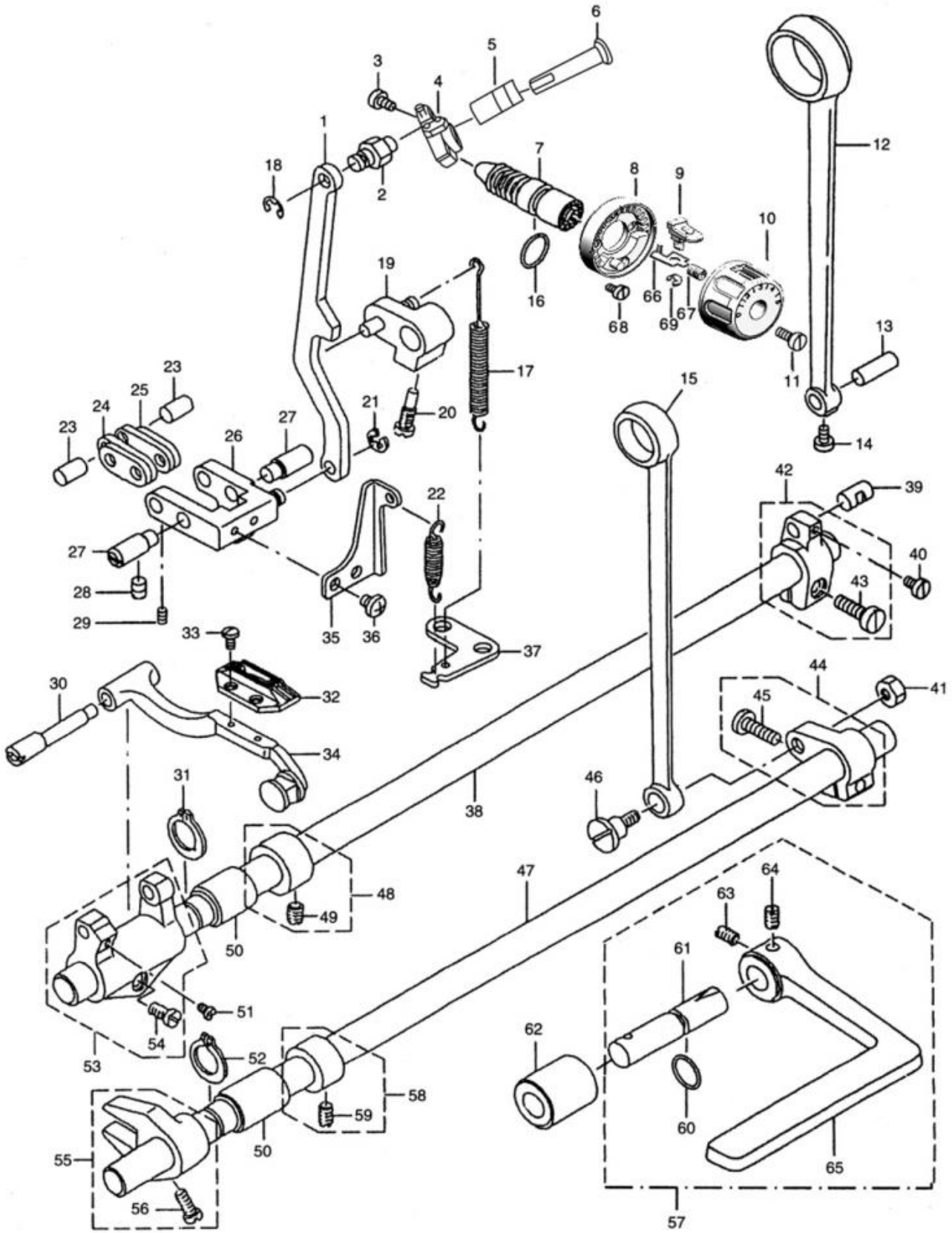


5.送料部件

序号 Ref. NO.	件号 Part NO.	名称	Description	数量 Qty	备注 Note
1	102.05-01	倒送料连杆	Feed adjust rod	1	
2	102.05-02	倒送料连杆销	Feed regulator pin	1	
3	02-509400621-1	连杆销螺钉	Screw 9/64x40 L=6	2	
4	101.05-04	送料调节器	Feed regulator	1	
5	101.05-05	送料调节器轴套	Feed regulator bushing	1	
6	02-312280721-1	送料调节器紧固螺钉	Screw 3/16x28 L=7	1	
7	102.05-07	送料调节螺栓	Feed regulator screw	1	
8	102.05-08	标盘座	Scale a	1	
9	102.05-09	标盘锁按钮	Scale lock button	1	
10	102.05-10	送料距旋钮	Feed dial	1	
	102.05-10-1	送料距旋钮	Feed dial	1	厚料
11	02-512281821-1	送料距旋钮螺钉	Screw 3/16x28 L=18	1	
12	102.05-12	送料连杆	Rocker shaft connecting rod	1	
13	102.05-13	送料连杆销	Walking foot long pin	1	
14	02-809400424-1	送料连杆螺钉	Screw 9/64x40 L=4	1	
15	102.05-15	拾牙连杆	Connecting rod	1	
16	102.05-16	送料调节螺栓O型圈	Rubber ring	1	
17	102.05-17	摆动板座复位簧	Feed reverse spring	1	
18	101.05-18	倒送料连杆销挡圈	E-ring 5	1	
19	102.05-19	倒送料曲柄组件	Feed reverse arm asm.	1	
	102.05-19-1	倒送料曲柄组件	Feed reverse arm asm.	1	厚料
20	102.05-20	倒送料曲柄螺钉	Screw	1	
21	101.05-21	倒送料连杆挡圈	E-ring 5	1	
22	102.05-22	倒送料拉簧	Spring	1	
23	102.05-23	短摆动板连接销	Walking foot short pin	2	
24	102.05-24	送料长摆动板	Connecting link long pin	2	
25	102.05-25	送料短摆动板	Connecting link short pin	2	
26	102.05-26	送料摆动板座组件	Feed adjust link asm.	1	
27	102.05-27	送料摆动板座左右销	Adjusting link fulcrum shaft	2	
28	02-815280711-1	左右销螺钉	Screw 15/64x28 L=7	2	
29	02-809400424-1	连杆销螺钉	Screw 9/64x40 L=4	2	
30	102.05-30	牙架销	Feed bar shaft	1	
31	102.05-31	送料轴轴用挡圈	Retaining ring	1	
32	101.05-32	送料牙	Feed dog I	1	
	101.05-32-1	送料牙	Feed dog I	1	厚料
33	02-608440621-1	送料牙螺钉	Screw 1/8x44 L=6	2	
34	102.05-34	牙架部件	Feed bar asm.	1	
35	101.05-35	摆动板座复位板	Adjusting link spring guide	1	
36	02-411400523-1	复位板紧固螺钉	Screw 11/64x40 L=5	2	
37	102.05-37	拉簧固定板	Feed spring hood	1	
38	102.05-38	送料轴	Feed rocker shaft	1	
39	102.05-39	送料曲柄销	Walking foot middle pin	1	
40	02-509400621-1	曲柄销螺钉	Screw 9/64x40 L=6	1	
41	04-618280400-1	拾牙连杆轴位螺母	Nut 9/32x28	1	

5.送料部件

FEED MECHANISM COMPONENTS

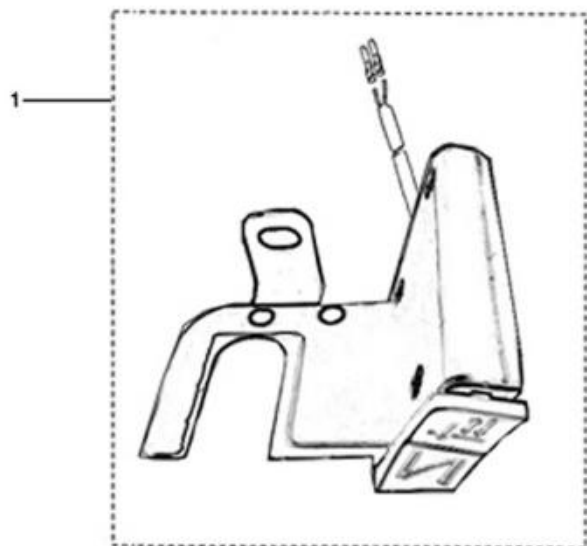


5.送料部件

序号 Ref. NO.	件号 Part NO.	名称	Description	数量 Qty	备注 Note
42	101.05-42	送料曲柄组件	Feed rocker shaft crank asm.	1	厚料
	101.05-42 -1	送料曲柄组件	Feed rocker shaft crank asm.	1	
43	02-412281621-1	送料曲柄螺钉	Screw 3/16x28 L=15.5	1	厚料
44	102.05-44	拾牙后曲柄组件	Lifting rocker asm.	1	
45	02-412281421-1	拾牙后曲柄螺钉	Screw 3/16x28 L=14	1	
46	102.05-46	拾牙连杆轴位螺钉	Hinge screw	1	
47	102.05-47	拾牙轴	Feed driving shaft	1	
48	102.05-48	拾牙轴挡圈组件	Thrust collar asm.	1	
49	02-816400611-1	送料轴挡圈螺钉	Screw 1/4x40 L=6	1	
50	102.05-49	送料轴前轴套	Feed rocker shaft bushing	2	
51	02-411400721-1	牙架销螺钉	Screw 11/64x40 L=7	2	
52	102.05-50	拾牙轴轴用挡圈	Retaining ring	1	
53	102.05-51	牙架座组件	Feed bar crank asm.	1	
54	02-412281421-1	牙架座螺钉	Screw 3/16x28 L=14	1	
55	102.05-52	拾牙叉曲柄组件	Driving shaft crank asm.	1	
	102.05-52 -1	拾牙叉曲柄组件	Driving shaft crank asm.	1	
56	02-511401121-1	拾牙叉曲柄螺钉	Screw 11/64x40 L=10.5	1	
57	102.05-59	倒送料扳手组件	Reverse feed control lever asm.	1	
58	102.05-61	拾牙轴挡圈	Thrust collar asm.	1	
59	02-816400611-1	拾牙轴挡圈螺钉	Screw 1/4x40 L=6	2	
60	102.05-63	倒送料轴O型圈	Rubber ring	1	
61	102.05-64	倒送料轴	Feed reverse shaft	1	
62	102.05-65	倒送料轴轴套	Feed lever metal	1	
63	02-816400911-1	倒送料扳手螺钉	Screw 1/4x40 L=8.5	1	
64	02-816401041-1	倒送料扳手定位螺钉	Screw 1/4x40 L=10	1	
65	102.05-68	倒送料扳手	Reverse feed control lever	1	
66	102.05-69	标盘卡片	Scale card	1	
67	102.05-70	弹簧	Spring	1	
68	102.05-71	螺钉	Screw	2	
69	102.05-72	挡圈	E-ring 4	1	

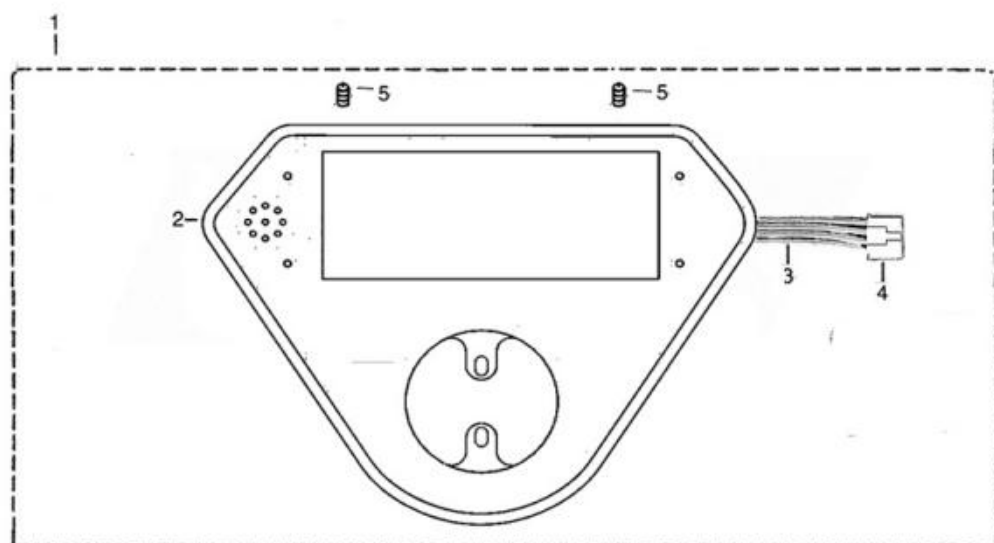
6.自动倒缝部件

AUTOMATIC REVERSE FEED COMPONENTS



7. 选针盒部件

NEEDLE SELECTION BOX COMPONENTS



6.自动倒缝部件

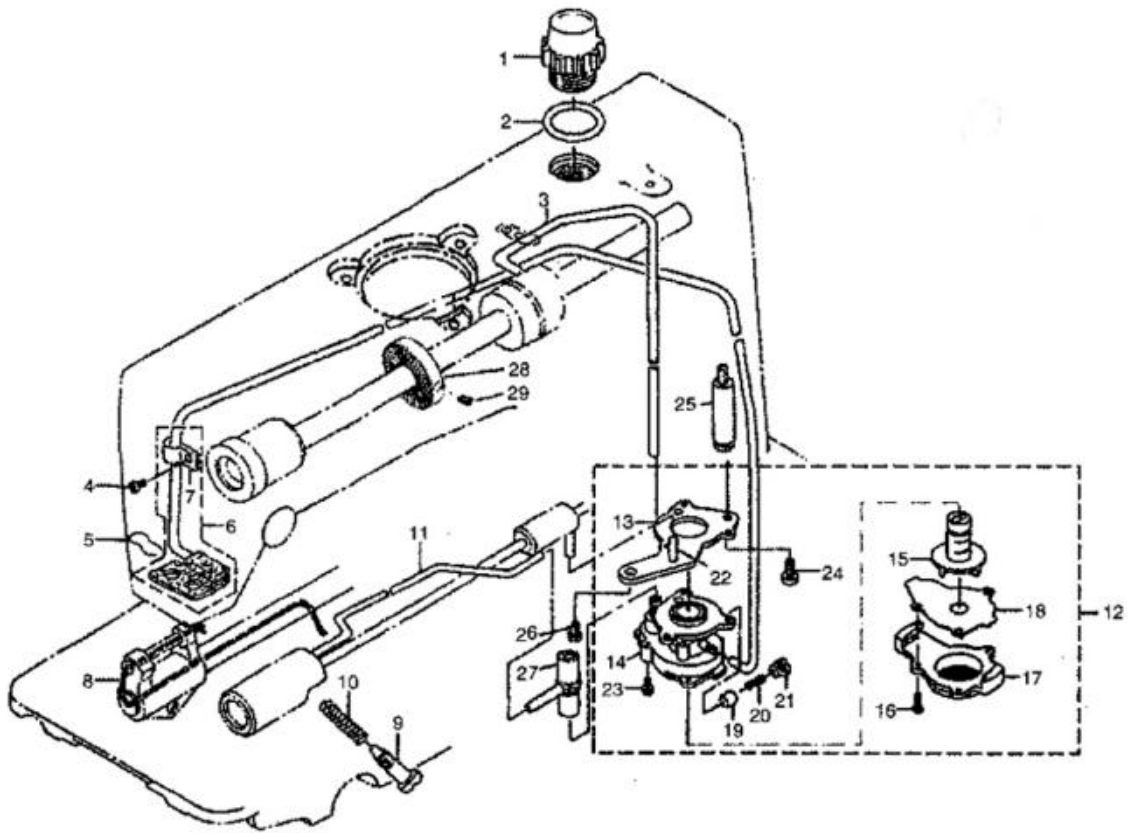
序号 Ref. NO.	件号 Part NO.	名称	Description	数量 Qty	备注 Note
1	101.07-01	自动倒缝开关组件	Reverse feed switch asm.	1	

7 选针盒部件

1	101.08-01	选针盒组件	Needle selection box asm	1	
2	101.08-02	选针盒	Needle selection box	1	
3	101.08-03	电线	2-core cabtyre cord	1	
4	101.08-04	插针	pin contact	1	
5	101.08-05	选针盒固定螺钉	Screw SM9/64X40 L=8	2	

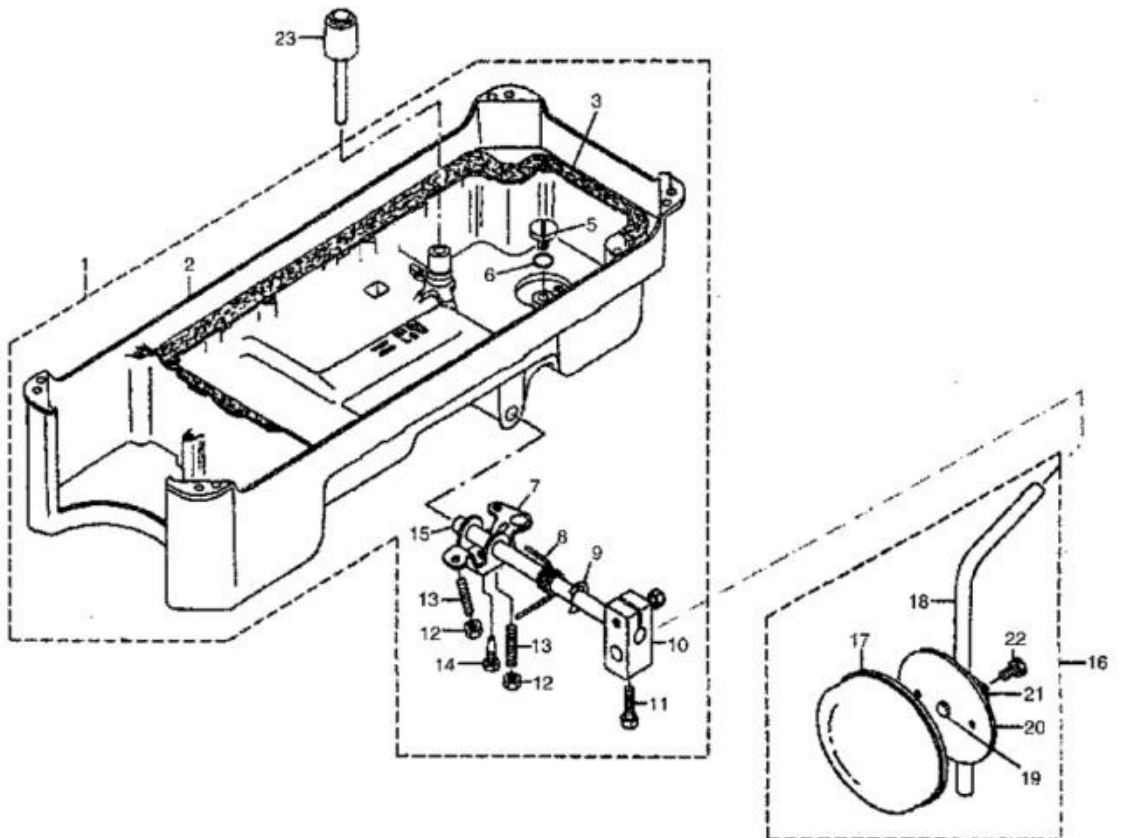
8. 润滑部件

OIL LUBRICATION COMPONENTS



9. 油盘部件

OIL RESERVOIR COMPONENTS



8. 润滑部件

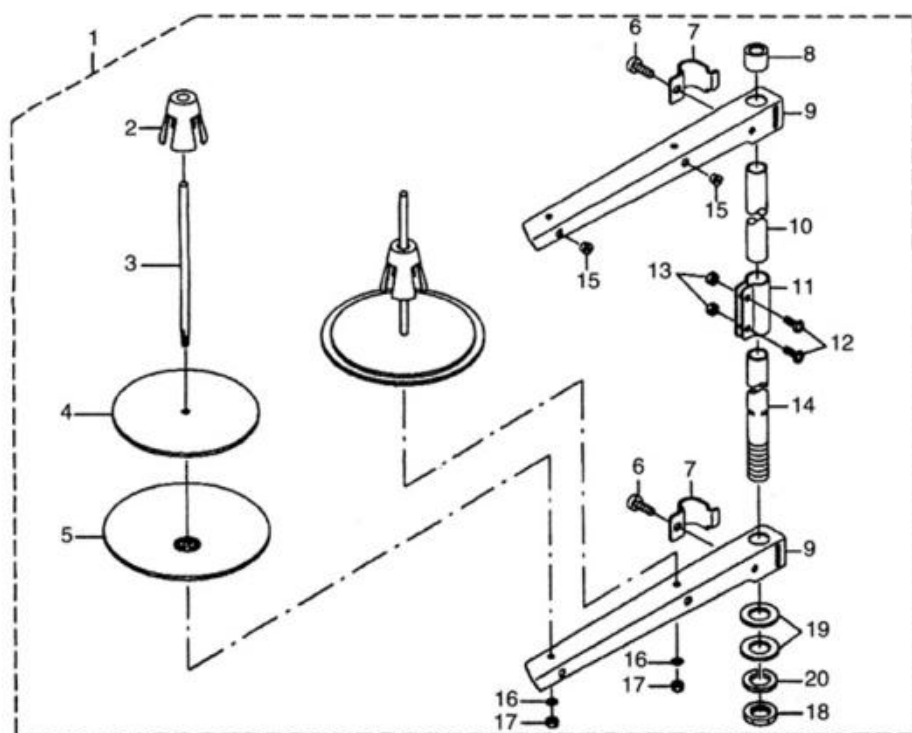
序号 Ref. NO.	件号 Part NO.	名称	Description	数量 Qty	备注 Note
1	102.09-01	油窗	Oil sight window	1	
2	102.09-02	油窗O型圈	Rubber ring	1	
3	102.09-03	上轴供油管	Main shaft oil tube	1	
4	02-412280623-1	回油管夹螺钉	Screw 3/16x28 L=6	1	
5	102.09-05	回油毡夹	Oil felt presser	1	
6	102.09-06	回油管组件	Oil return tube asm	1	
7	102.09-07	回油管夹	Holder	1	
8	101.09-08	送料轴油线	Oil wick	1	
9	102.09-09	旋梭油量调节螺钉	Oil adjusting screw	1	
10	102.09-10	旋梭油量调节簧	Spring	1	
11	102.09-11	旋梭供油管	Oil tube	1	
12	101.09-12	油泵部件	Lubricating oil pump asm	1	
13	101.09-13	油泵安装板	Oil pump installing base	1	
14	101.09-14	油泵体	Oil pump	1	
15	101.09-15	油泵叶轮	Oil pump impeller	1	
16	101.09-16	油泵盖螺钉	Screw D=3 L=10	3	
17	101.09-17	油泵盖	Lubricating oil pump cover	1	
18	101.09-18	油泵叶轮托板	Oil pump impeller cover	1	
19	101.09-19	回油柱塞	Plunger	1	
20	101.09-20	柱塞簧	Plunger spring	1	
21	101.09-21	柱塞螺钉	Plunger screw	1	
22	101.09-22	下轴供油管	Hook driving shaft oil tube	1	
23	101.09-23	油泵安装螺钉	Screw M3 L=8	3	
24	02-611401021-1	螺柱连接螺钉	Screw 11/64x40 L=9.5	1	
25	101.09-26	油泵连接螺柱	Oil pump support, large	1	
26	02-615281221-1	油泵螺钉	Screw 15/64x28 L=12	1	
27	101.09-28	供油管接头	Rubber joint	1	
28	102.09-37	绕线器驱动轮	Bobbin pulley	1	
29	102.09-38	绕线器驱动轮螺钉	Screw	2	

9. 油盘部件

1	101.10-01	油盘部件	Oil reservoir asm	1	
2	101.10-02	油盘	Oil reservoir	1	
3	101.10-03	油盘垫	Oil reservoir gasket	1	
5	02-620240721-1	排油孔螺钉	Screw 5/16x24 L=7	1	
6	101.10-06	排油孔螺钉O型圈	Rubber ring	1	
7	101.10-07	抬压脚双向曲柄	Knee lifting rotating arm	1	
8	101.10-08	双向曲柄扭簧	Spring	1	
9	101.10-09	抬压脚轴开口挡圈	E-ring 10	1	
10	101.10-10	抬压脚操纵杆节头	Vertical shaft fitting arm	1	
11	101.10-11	操纵杆节头螺钉	Screw	2	
12	101.10-12	双向曲柄限位调节螺母	Nut M6	2	
13	101.10-13	双向曲柄限位调节螺钉	Screw M6 L=30	2	
14	101.10-14	双向曲柄螺钉	Screw M6 L=17.5	1	
15	101.10-15	抬压脚轴	Knee press cross shaft	1	
16	101.10-16	操纵杆部件	Knee pan plate asm	1	
17	101.10-17	操纵杆软垫	Knee pan plate cover	1	
18	101.10-18	操纵杆	Knee pan upright shaft	1	
19	101.10-19	操纵杆垫	Knee pan plate rubber	1	
20	101.10-20	操纵板	Knee pan plate	1	
21	101.10-21	操纵杆节头	Knee pan plate support	1	
22	101.10-22	节头螺钉	Screw M6 L=12	1	
23	101.10-23	抬压脚顶销	Knee lifter push rod	1	

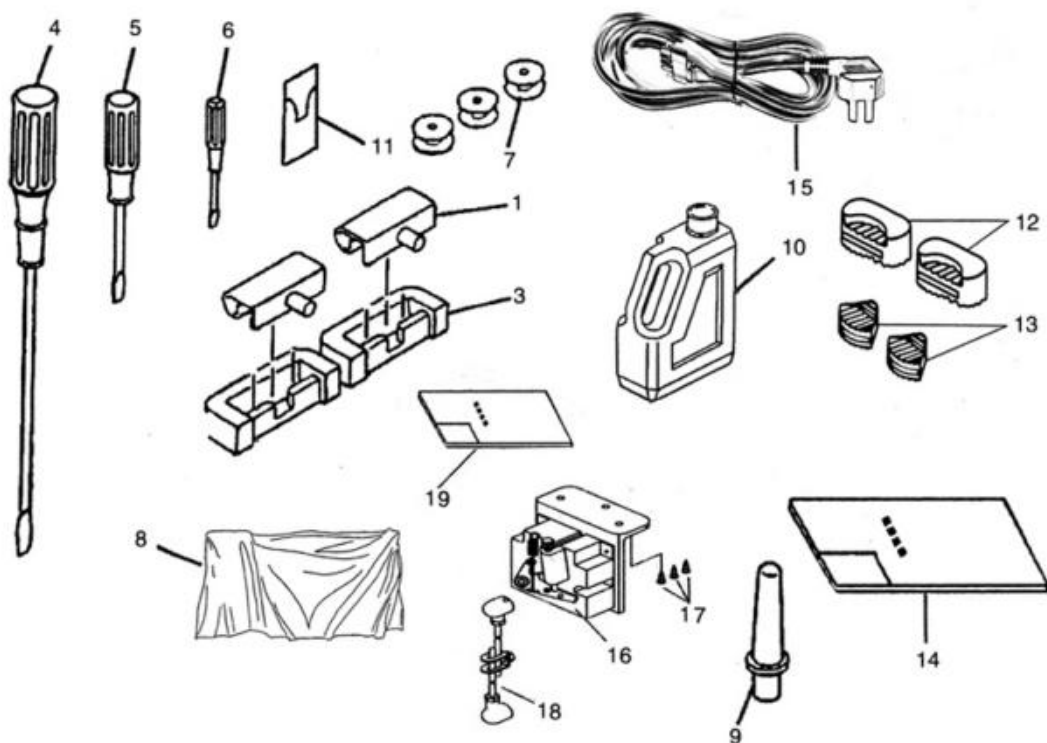
10.过线架部件

THREAD STAND COMPONENTS



11.附件

ACCESSORIES



10.过线架部件

序号 Ref. NO.	件 号 Part NO.	名 称	Description	数 量 Qty	备注 Note
1	101.12-01	过线架部件	Thread stand asm.	1	
2	101.12-02	线团防松垫	Spool retainer	2	
3	101.12-03	线盘钉	Spool pin	2	
4	101.12-04	线盘轮垫	Spool rest cushion	2	
5	101.12-05	线盘	Spool rest	2	
6	101.12-06	线架过线夹螺钉	Screw M6 L=16	2	
7	101.12-07	线架过线夹	Thread guide arm joint	2	
8	101.12-08	线架杆顶防护橡皮	Spool rest rod rubber cap	1	
9	101.12-09	线架过线杆	Spool rest arm	2	
10	101.12-10	线架杆上节	Spool rest rod,upper	1	
11	101.12-11	接架杆接头	Spool rest rod joint	1	
12	101.12-12	接架杆接头螺钉	Screw M5 L=14	2	
13	101.12-13	接架杆接头螺母	Nut M5	2	
14	101.12-14	线架杆下节	Spool rest rod,lower	1	
15	101.12-15	过线圈	Thread guide	2	
16	101.12-16	线盘钉弹簧垫	Spring washer	2	
17	101.12-17	线盘钉螺母	Nut M5	2	
18	101.12-18	线架杆紧固螺母	Nut M16x1.5	1	
19	101.12-19	线架杆紧固螺母垫圈	Washer 16x30x2.6	2	
20	101.12-20	紧固螺母弹簧的垫圈	Spring washer	1	

11.附件

序号 Ref. NO.	件 号 Part NO.	名 称	Description	数 量 Qty	备注 Note
1	101.14-01	机头连接钩组件	Machine hinge plate asm.	2	
3	101.14-03	机头连接钩座	Machine hinge plate	2	
4	101.14-04	螺丝刀(大)	Screw driver,large	1	
5	101.14-05	螺丝刀(中)	Screw driver,mendium	1	
6	101.14-06	螺丝刀(小)	Screw driver,small	1	
7	101.14-07	梭心	Bobbin	3	
8	101.14-08	机头罩	Macgube head cover	1	
9	101.14-09	机头支柱	Macgube rest cover	1	
10	101.14-10	油箱部件	Oil reservoir asm.	1	
11	101.14-11	机针	Needle DBx1 #14	1包	
12	101.14-12	防震垫(A)	quakeproof washer A	2	
13	101.14-13	防震垫(B)	quakeproof washer B	2	
14	101.14-14	说明书	Instruction book	1	
15	101.14-16	电源线	power line	1	
16	101.14-17	控速器	speed controller	1	
17	101.14-18	控速器安装螺钉	speed controller screw	4	
18	101.14-19	控速器拉杆	speed controller pull rod	1	
19	101.14-20	电控说明书	drive-by-wire Instruction book	1	

佳岛缝纫机

浙江台州专卖店 销售热线: 0555-12345678

浙江佳岛缝纫机有限公司

ZHEJIANG JIADAO SEWING MACHINE CO.,LTD.

地址: 浙江省台州市椒江区东海大道东段993号

Add: No.993 East Donghai Road Jiaojiang Taizhou Zhejiang China

电话(Tel):+86-576-88018796 / 88018791

传真(Fax):+86-576-88027628 / 88018792

Http://www.chinajaki.com

Email: jaki@china-jaki.com

感谢您购买本公司的产品, 为了安全的使用, 请您在使用之前阅读本使用说明书。

另外, 请您注意保管本使用说明书, 以便随时查阅

Read safety instructions carefully and understand them before usingretain

This instruction manual for future reference.